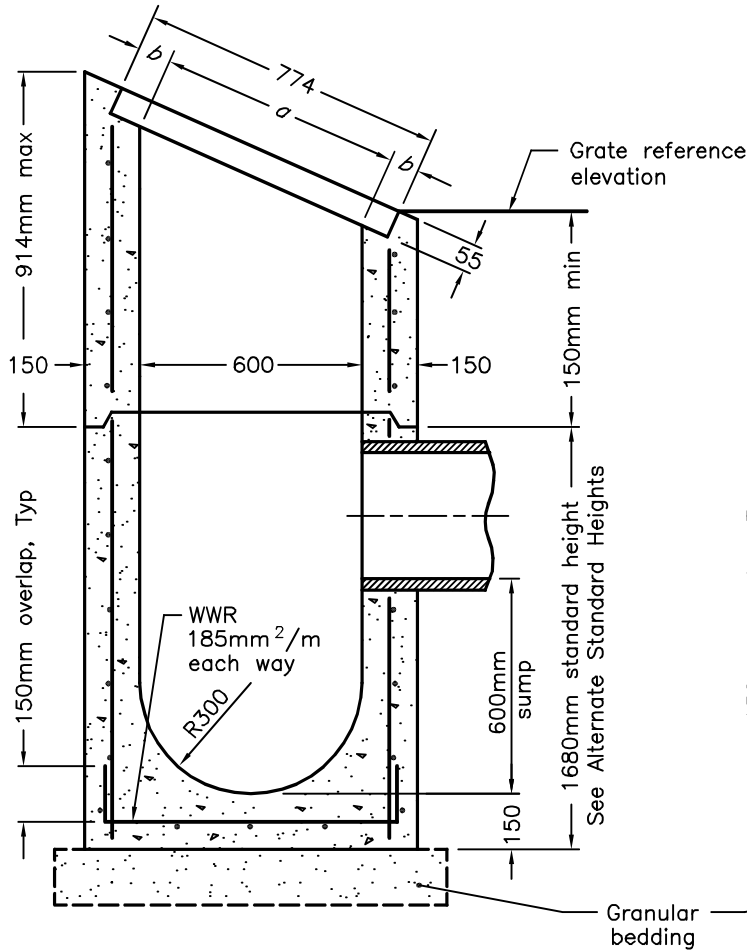


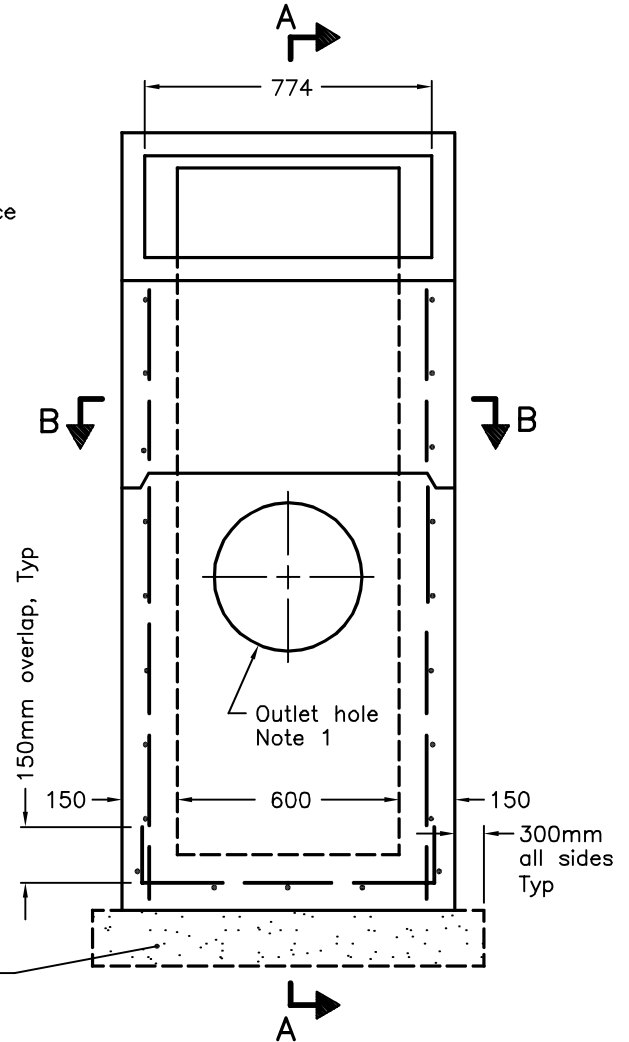
**SECTION B-B**

Alternate Standard Heights	
Alternate	Dimension
A	1980
B	1520
C	1380

Opening Dimensions			
Grate		a	b
Type	Slope		
A	2H:1V	670	52
	3H:1V	632	71
	4H:1V	618	78
	6H:1V	608	83
	HOR	600	87



**SECTION A-A**



**FRONT VIEW**

**NOTES:**

- 1 Outlet hole size 525mm maximum diameter, location as required.
- A Where inlet is placed across ditch and is accessible to vehicular traffic, grating slope shall be 6H:1V or flatter.
- B Center reinforcing in wall and slab  $\pm 25$ mm.
- C Granular backfill shall be placed to a minimum thickness of 300mm all around the ditch inlet.
- D Grating shall be according to OPSD 403.010.
- E Pipe support shall be according to OPSD 708.020.
- F All dimensions are nominal.
- G All dimensions are in millimetres unless otherwise shown.

ONTARIO PROVINCIAL STANDARD DRAWING

Nov 2009 | Rev | 2

**PRECAST CONCRETE DITCH INLET**  
600 x 600mm



**OPSD 705.030**