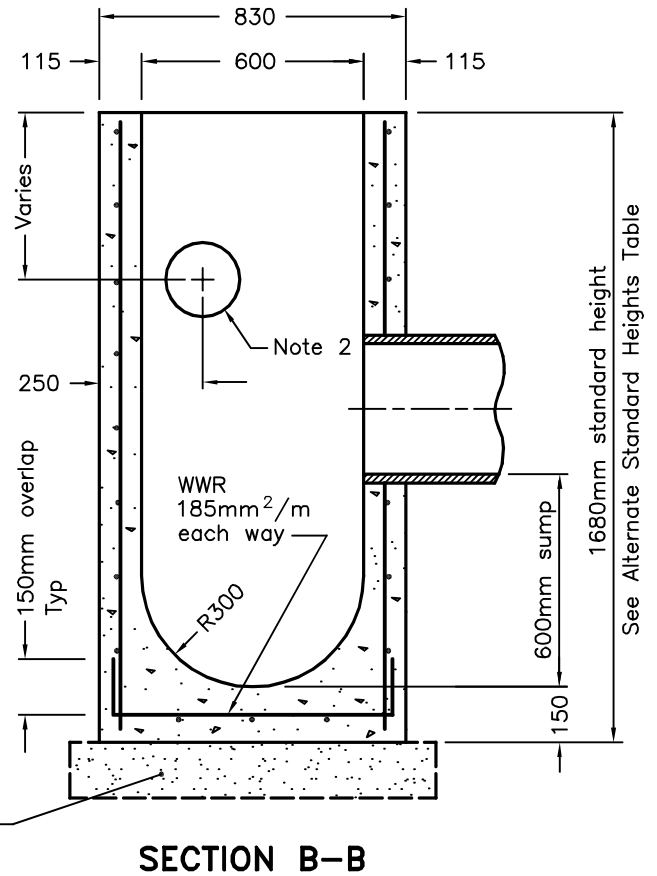
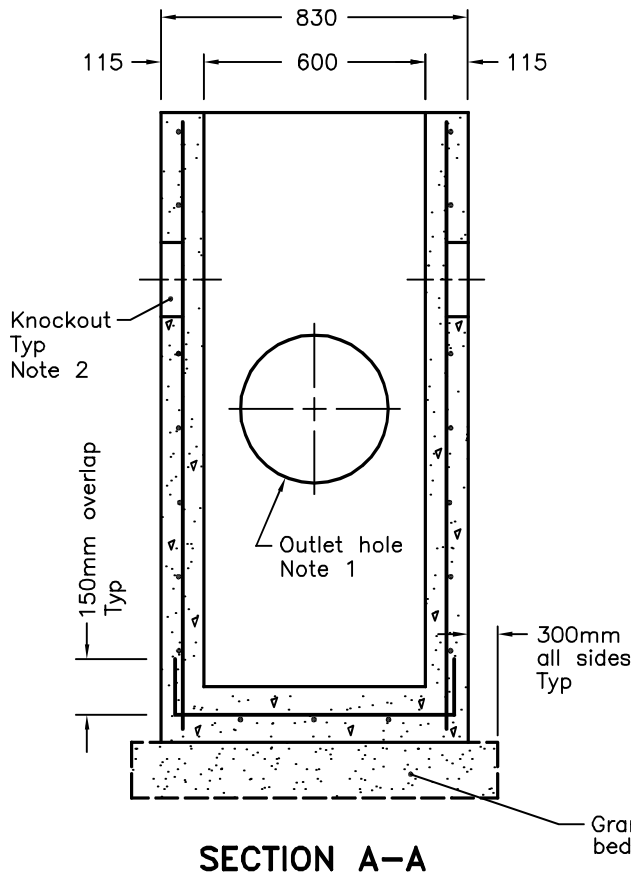
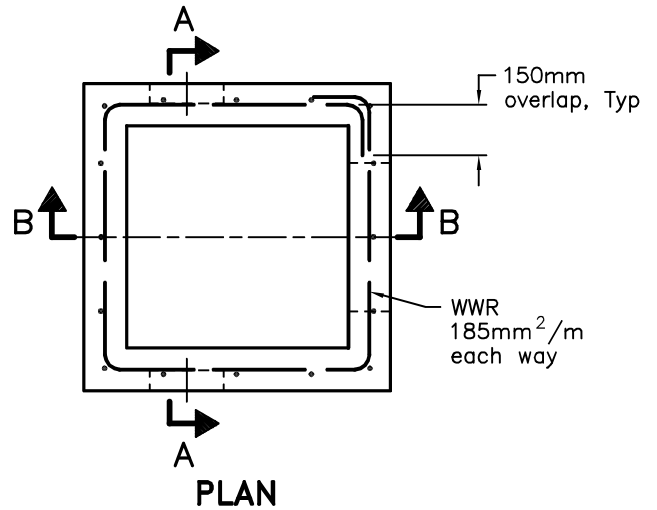


ALTERNATE STANDARD HEIGHTS	
ALTERNATE	DIMENSION
A	1980
B	1830
C	1520
D	1380



NOTES:

- 1 Outlet hole size 525mm diameter maximum, location as required.
- 2 200mm diameter knockout to accommodate subdrain. Knockout shall be 60mm deep.
- A Centre reinforcing in base slab and walls ± 20 mm.
- B Granular backfill shall be placed to a minimum thickness of 300mm all around the catch basin.

- C Frame, grate, and adjustment units shall be installed according to OPSD 704.010.
- D Pipe support shall be according to OPSD 708.020.
- E All dimensions are nominal.
- F All dimensions are in millimetres unless otherwise shown.

ONTARIO PROVINCIAL STANDARD DRAWING

Nov 2009 | Rev | 2

PRECAST CONCRETE CATCH BASIN

600x600mm



OPSD 705.010