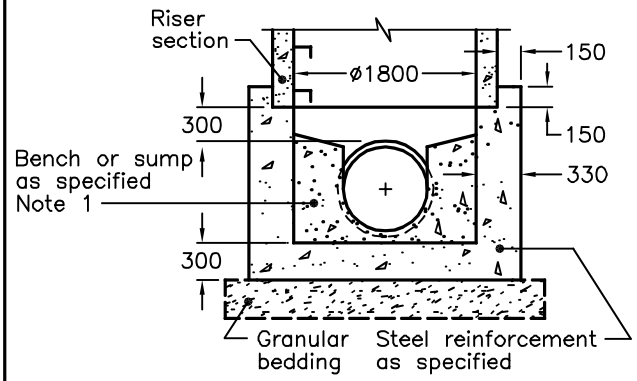
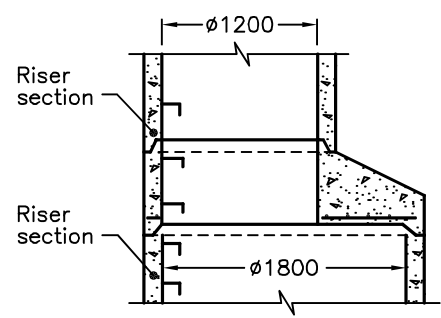


- NOTES:**
- 1 For sump detail see OPSD 701.010.
 - A Granular backfill shall be placed to a minimum thickness of 300mm all around the maintenance hole.
 - B Precast concrete components shall be according to OPSD 701.030, 701.031, 701.050, 701.051, 703.012, 703.022, and 706.020.
 - C Structures exceeding 5.0m in depth shall include safety platform according to OPSD 404.020 or 404.022.
 - D Pipe support shall be according to OPSD 708.020.
 - E For benching and pipe opening details, see OPSD 701.021.
 - F For adjustment unit and frame installation, see OPSD 704.010.
 - G All dimensions are nominal.
 - H All dimensions are in millimetres unless otherwise shown.

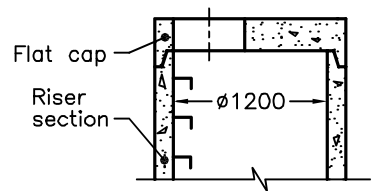
ALTERNATIVES



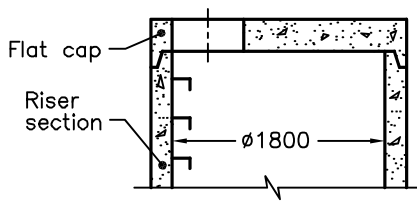
A CAST-IN-PLACE BASE



B TAPERED TRANSITION SLAB



C 1200mm PRECAST FLAT CAP



D 1800mm PRECAST FLAT CAP

ONTARIO PROVINCIAL STANDARD DRAWING

Nov 2009 Rev 4

**PRECAST CONCRETE
MAINTENANCE HOLE
1800mm DIAMETER**



OPSD 701.012