

Tapered top
See alternatives D
and E

Riser sections
as required

Transition slab
See alternative C

Riser sections
as required

Bench or sump
as specified
Note 1

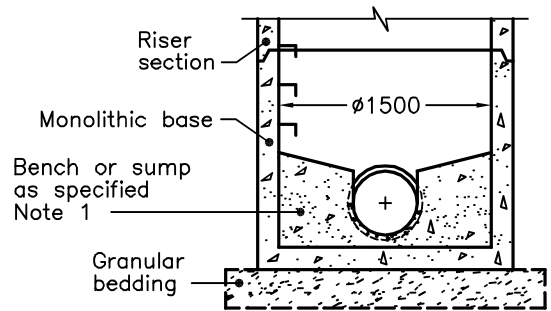
Precast slab base
See alternatives
A and B

Granular
bedding 300mm
Typ

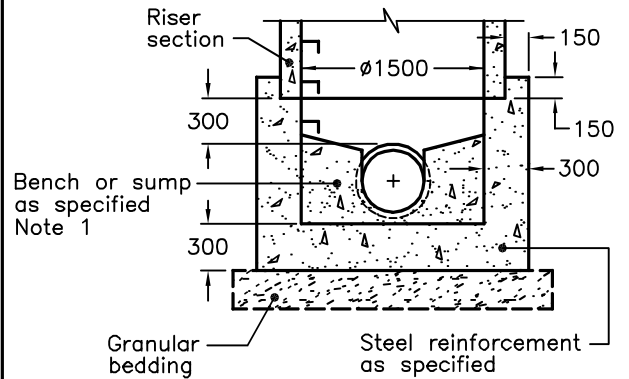
NOTES:

- 1 For sump detail see OPSD 701.010.
- A Granular backfill shall be placed to a minimum thickness of 300mm all around the maintenance hole.
- B Precast concrete components shall be according to OPSD 701.030, 701.031, 701.040, 701.041, 703.011, 703.021, and 706.010.
- C Structures exceeding 5.0m in depth shall include safety platform according to OPSD 404.020 or 404.021.
- D Pipe support shall be according to OPSD 708.020.
- E For benching and pipe opening details, see OPSD 701.021.
- F For adjustment unit and frame installation, see OPSD 704.010.
- G All dimensions are nominal.
- H All dimensions are in millimetres unless otherwise shown.

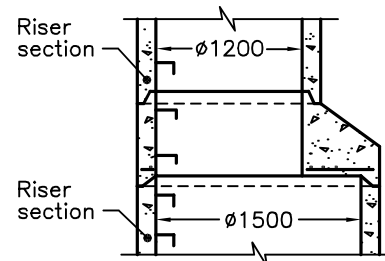
ALTERNATIVES



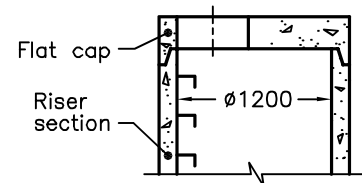
A PRECAST MONOLITHIC BASE



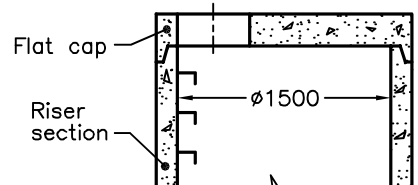
B CAST-IN-PLACE BASE



C TAPERED TRANSITION SLAB



D 1200mm PRECAST FLAT CAP



E 1500mm PRECAST FLAT CAP

ONTARIO PROVINCIAL STANDARD DRAWING

Nov 2009 | Rev | 4

**PRECAST CONCRETE
MAINTENANCE HOLE
1500mm DIAMETER**



OPSD 701.011