

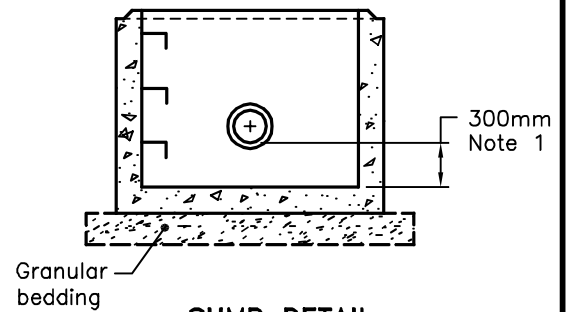
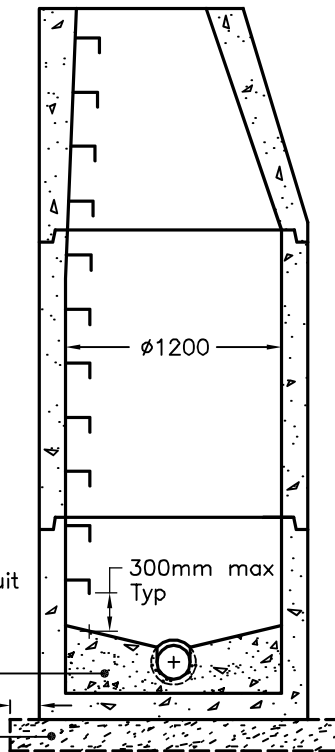
Tapered top  
See alternative C

Riser sections  
as required

Monolithic base with inlet  
and outlet openings to suit  
See alternatives A and B

Bench or sump  
as specified

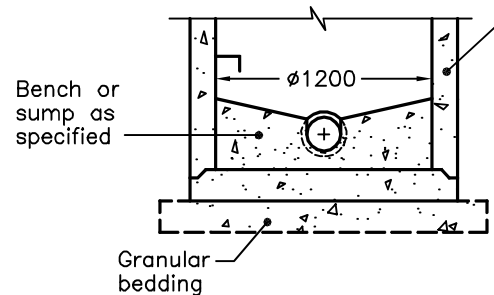
300mm, Typ  
Granular bedding



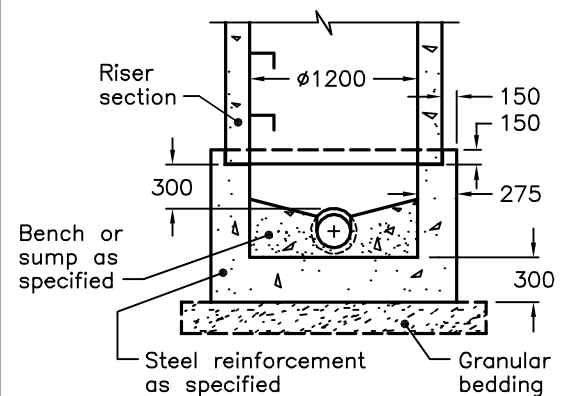
**SUMP DETAIL**

**ALTERNATIVES**

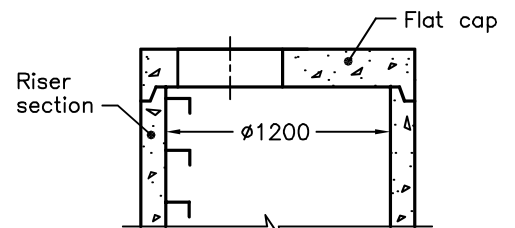
Bottom riser section with  
inlet and outlet openings to suit



**A PRECAST SLAB BASE**



**B CAST-IN-PLACE BASE**



**C PRECAST FLAT CAP**

**NOTES:**

- 1 The sump is measured from the lowest invert.
- A Granular backfill shall be placed to a minimum thickness of 300mm all around the maintenance hole.
- B Precast concrete components shall be according to OPSD 701.030, 701.031, and 701.032.
- C Structure exceeding 5.0m in depth shall include safety platform according to OPSD 404.020.
- D Pipe support shall be according to OPSD 708.020.
- E For benching and pipe opening details, see OPSD 701.021.
- F For adjustment unit and frame installation, see OPSD 704.010.
- G All dimensions are nominal.
- H All dimensions are in millimetres unless otherwise shown.

ONTARIO PROVINCIAL STANDARD DRAWING

Nov 2009 | Rev | 4

**PRECAST CONCRETE  
MAINTENANCE HOLE  
1200mm DIAMETER**



**OPSD 701.010**