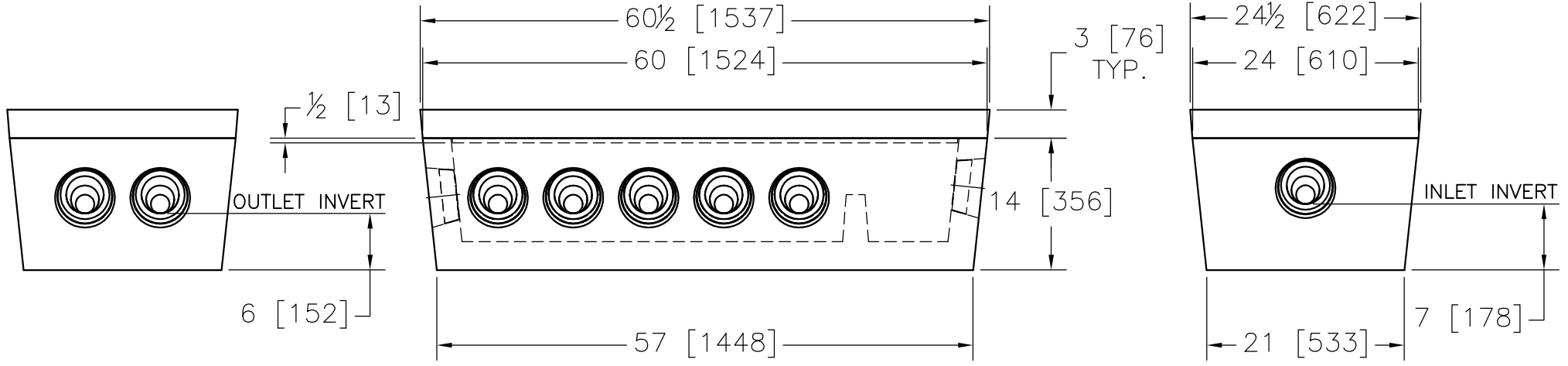
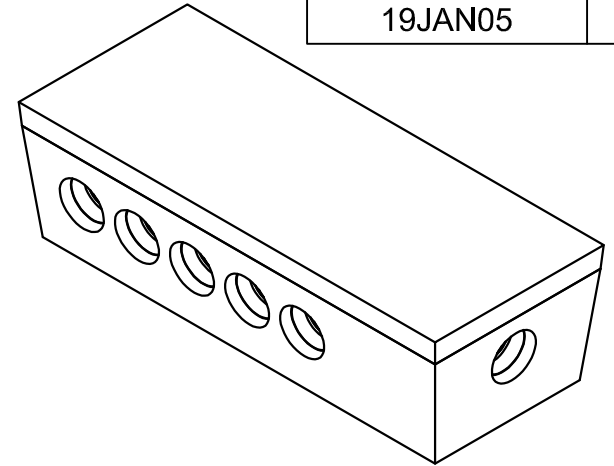
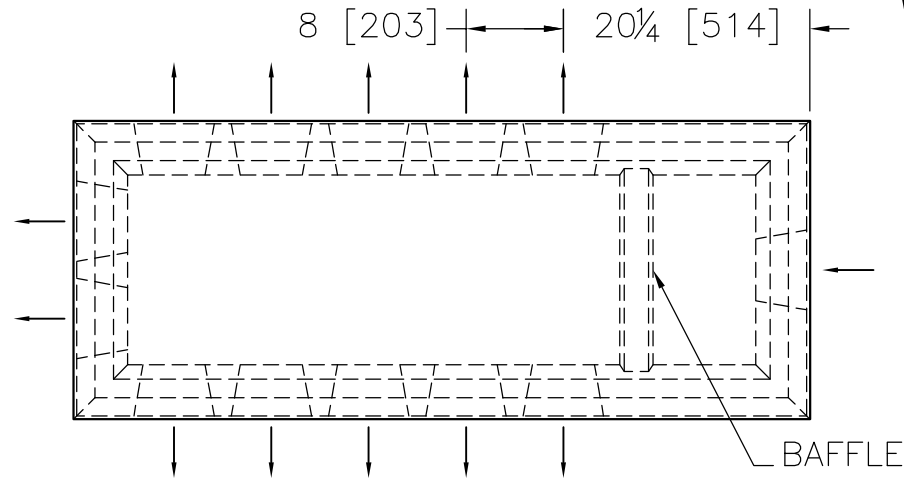


INLET AND OUTLET WILL ACCEPT NPS-2, 3 & 4 SCHEDULE 40 PIPE

DWG / REV DATE	REV
19JAN05	0



Porter's Division of J.A.PORTER HOLDINGS(LUCKNOW)LTD.

RR 1, Lucknow, Ont. N0G 2H0 Phone (519)528-3537 Fax: (519)528-2025
 RR 4, Owen Sound, Ont. N4K 5N6 Phone (519)372-1636 Fax: (519)372-1882

TITLE
12 OUTLET DISTRIBUTION BOX

DWG #
DB12