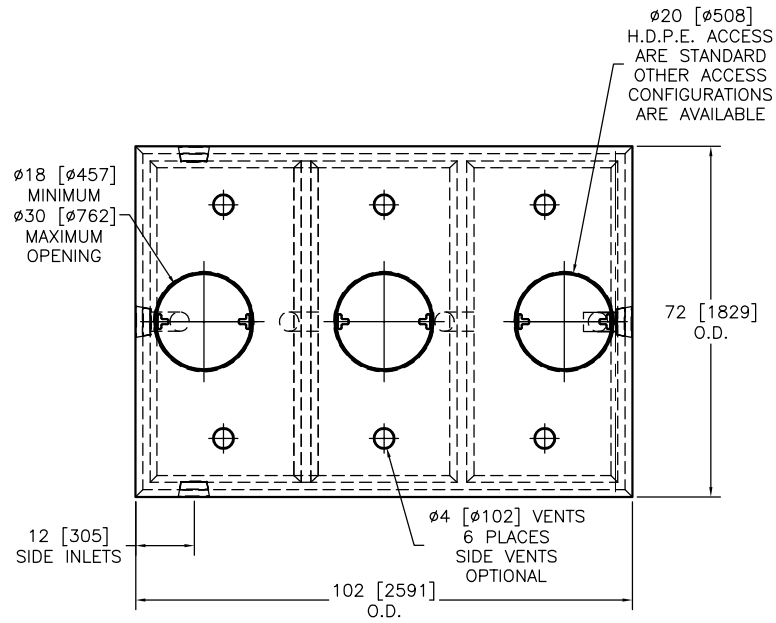


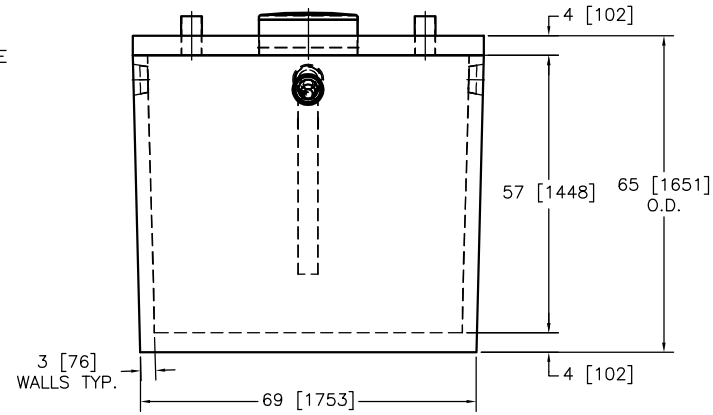
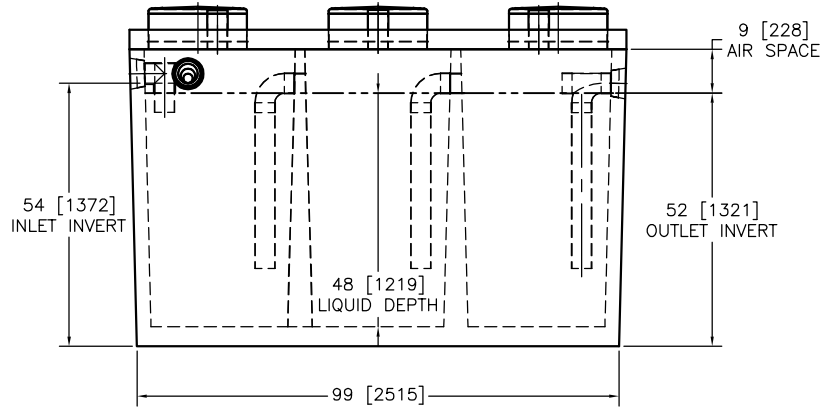
DWG / REV DATE	REV
11FEB05	0



Standard Construction - 990 G / 4500 L Oil Interceptor
 Concrete: 35 MPA at 28 days, 5-8% air entrainment, 0.45 water/cement ratio
 Reinforcing: Rebar Gr400W, 10m & 15m - 1" [25mm] min. concrete coverage
 Structural fibre - virgin copolymer polypropylene
 Liquid Depth: 48" [1219mm]
 Working Capacity: 990 G [4500 L]
 Air Capacity: 197 G [896 L]

Notes:

1. Inlet baffle - $\phi 100$ mm SDR35 pipe and tee type x 150 mm
2. Interior baffles - $\phi 100$ mm SDR35 pipe and elbow type x 900 mm
3. Outlet baffle - $\phi 100$ mm SDR35 pipe and sanitary tee type x 900 mm
4. $\frac{1}{2}$ " [13mm] butyl sealant used to seal lid to tank
5. Tank is assembled at Babcock Supply Ltd
6. Tank is intended for non-sulphate soil only
7. Above ground installation not permitted
8. Inlets and outlet will accept NPS-4 pipe (E.P.A. pipe seals)
9. Lid weight = 2200 lbs [998 kg]
10. Tank weight = 9200 lbs [4172 kg]
11. Assembled weight = 11400 lbs [5170 kg]
12. Maximum burial depth = 30" [1524 mm] in non traffic area
13. Heavier duty versions are available
14. Excavate hole approximately 12" [305 mm] larger than outside of tank



Babcock Supply Ltd.
PRECAST CONCRETE PRODUCTS

DRESDEN, ONT.

PHONE
 519-683-2696

FAX
 519-683-2548

TANK MODEL #

**990 GALLON - 4500 LITRE
 OIL INTERCEPTOR**

DWG #

990G-OI