

MARKING DETAILS

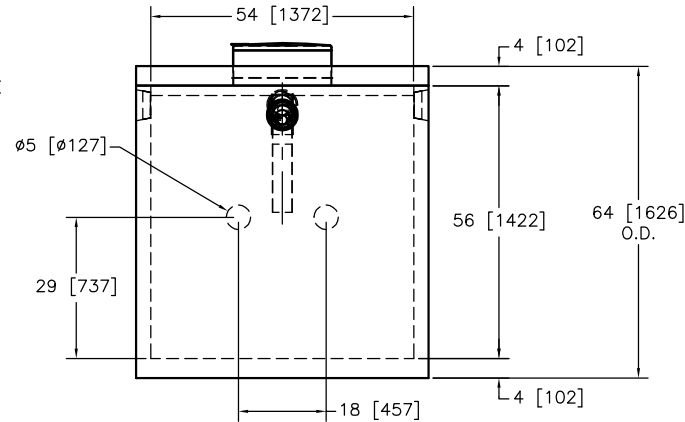
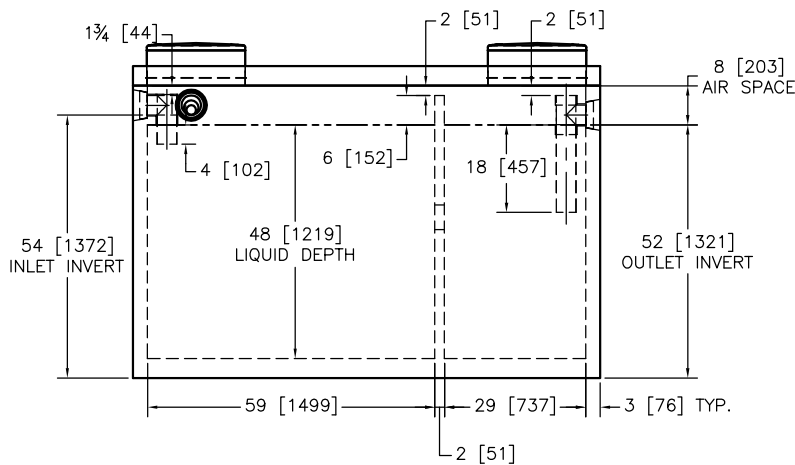
BABCOCK SUPPLY			
\blacksquare 3600 L	\square 10000 L	\blacksquare 2006	
\square 4500 L	\square 11365 L	\square 2007	
\square 5600 L	\square 13840 L	\square 2008	
\square 6800 L	\square 15900 L	\square P	
\square 9100 L	\square T	\square H	
MAXIMUM BURIAL DEPTH 1.5 m			
NON-SUL. A.G.I.N.P. RM/NEEL			

CAST IN
CONCRETE
INLET END
BESIDE ACCESS

Standard Construction – 800 G / 3600 L trickle type septic tank
 Concrete: 35 MPA at 28 days, 5–8% air entrainment, 0.45 water/cement ratio
 Reinforcing: Rebar Gr400W 10m & 15m – 1" [25mm] min. concrete coverage
 Structural fibre – virgin copolymer polypropylene
 Liquid Depth: 48" [1219mm]
 Working Capacity: 822 G [3738 L]
 Air Capacity: 137 G [622 L]

Notes:

- Inlet baffle – $\phi 100$ mm SDR35 pipe and tee type
- Outlet device – $\frac{1}{8}$ " effluent filter
- Partition wall is not monolithically cast with side walls and floor
- 'DO NOT ENTER DANGER NE PAS ENTRER' tags on H.D.P.E. access covers
- Inlet and Outlet marked on appropriate ends
- $\frac{1}{2}$ " [13mm] butyl sealant used to seal lid to tank
- Tank is assembled at Babcock Supply Ltd
- Tank is intended for non-sulphate soil only
- Above ground installation not permitted
- Inlet and outlet will accept NPS-4 pipe (E.P.A. pipe seals)
- Lid weight = 1920 lbs [871 kg]
- Tank weight = 6610 lbs [2998 kg]
- Assembled weight = 8530 lbs [3868 kg]
- Maximum burial depth = 60" [1524 mm]
- Excavate hole approximately 12" [305 mm] larger than outside of tank



Babcock Supply Ltd.
 PRECAST CONCRETE PRODUCTS

DRESDEN, ONT.

PHONE
519-683-2696

FAX
519-683-2548

TANK MODEL #

800 GALLON - 3600 LITRE
 SEPTIC TANK

DWG #

800GSEPTIC