

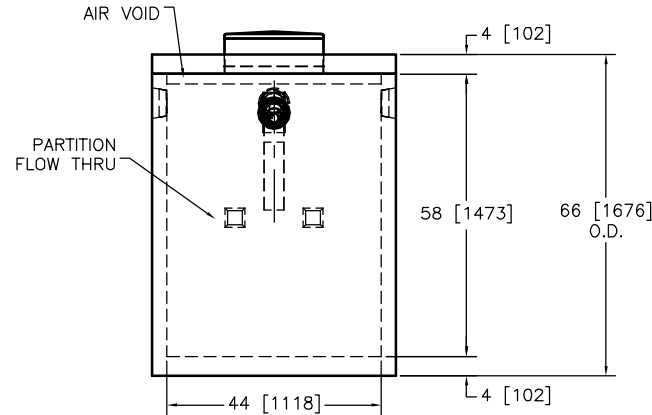
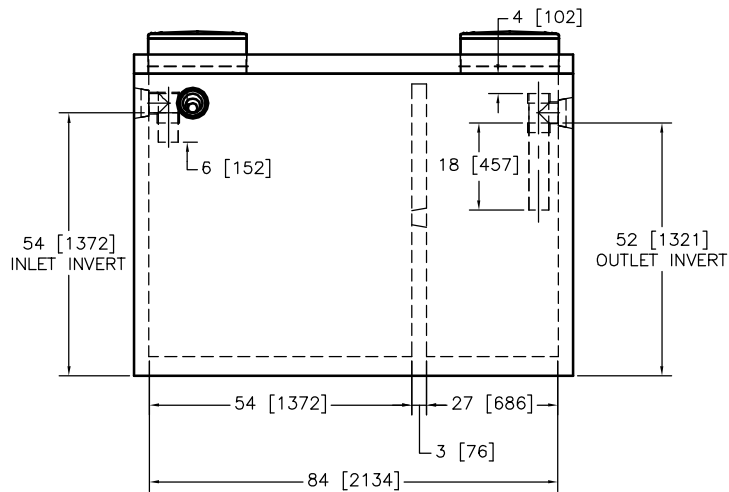
Standard Construction - 600 G / 2700 L septic tank
 Concrete: 35 MPA at 28 days, 5-8% air entrainment, 0.45 water/cement ratio
 Reinforcing: Rebar Gr400W 10m & 15m - 1" [25mm] min. concrete coverage
 Structural fibre - virgin copolymer polypropylene
 Liquid Depth: 48" [1219mm]
 Working Capacity: 616 G [2800 L]
 Air Capacity: 105 G [577 L]

- Notes:
1. Inlet baffle - ø100 mm SDR35 pipe and tee type
 2. Outlet baffle - ø100 mm SDR35 pipe and tee type
 3. Partition wall is not monolithically cast with side walls and floor
 4. 'DO NOT ENTER DANGER NE PAS ENTRER' tags on H.D.P.E. access covers
 5. Inlet and Outlet marked on appropriate ends
 6. 1/2" [13mm] butyl sealant used to seal lid to tank
 7. Tank is assembled at Babcock Supply Ltd
 8. Tank is intended for non-sulphate soil only
 9. Above ground installation not permitted
 10. Inlet and outlet will accept NPS-4 pipe (E.P.A. pipe seals)
 11. Lid weight = 1920 lbs [871 kg]
 12. Tank weight = 5900 lbs [2675 kg]
 13. Assembled weight = 7820 lbs [3546 kg]
 14. Maximum burial depth = 60" [1524 mm]
 15. Excavate hole approximately 12" [305 mm] larger than outside of tank

MARKING DETAILS

BABCOCK SUPPLY		
3600 L	10000 L	2006
4500 L	11985 L	2007
5600 L	13640 L	2008
6800 L	15900 L	P
9100 L	T	H
MAXIMUM BURIAL DEPTH 1.5 m		
NON-SUL	A.S./N.P.	R.M./B.L.

CAST IN
 CONCRETE
 INLET END
 BESIDE ACCESS



Babcock Supply Ltd.
PRECAST CONCRETE PRODUCTS

DRESDEN, ONT.

PHONE
 519-683-2696

FAX
 519-683-2548

TANK MODEL #

**600 GALLON - 2700 LITRE
 SEPTIC**

DWG #

600GSEPTIC