

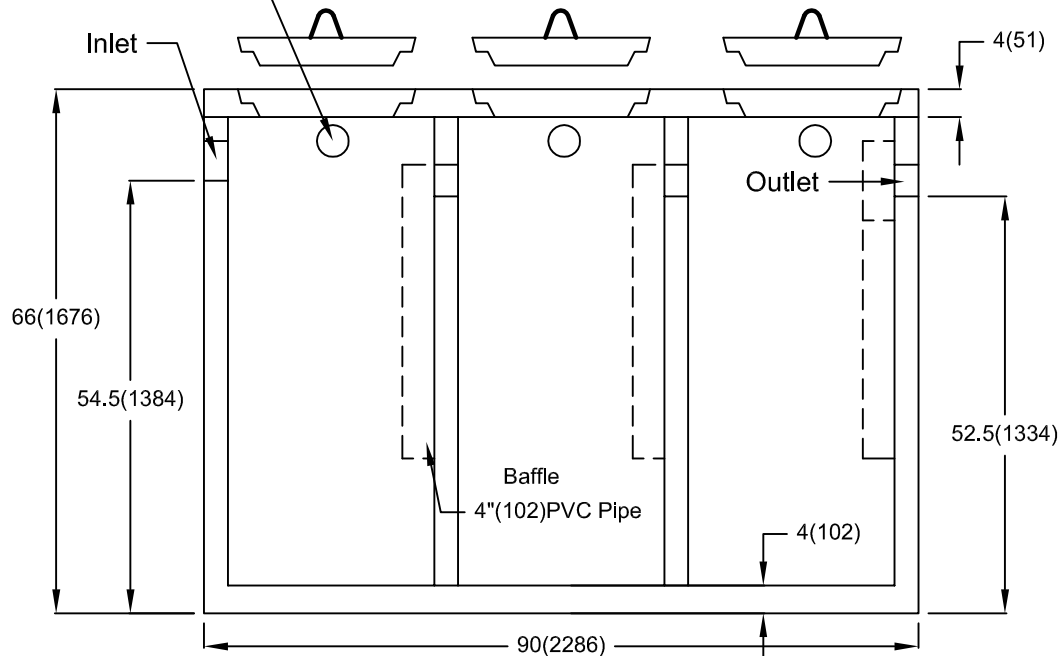
TOP SECTION

Liquid Depth: 49"(1245)

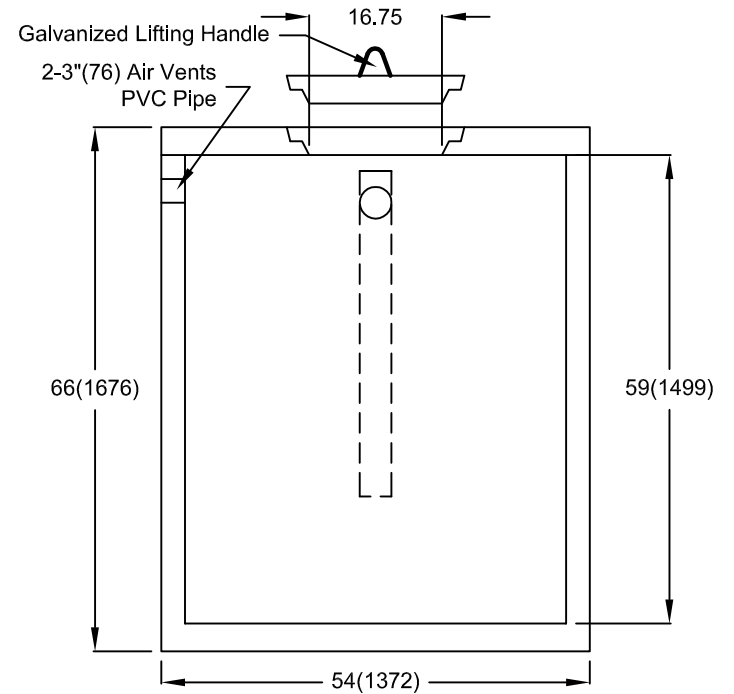
Concrete: 35 MPA @ 28 Days

Reinforcement: 10M Rebar

VENTING PROVIDED FOR EACH CHAMBER (TOP OR SIDE)



SIDE SECTION



END SECTION