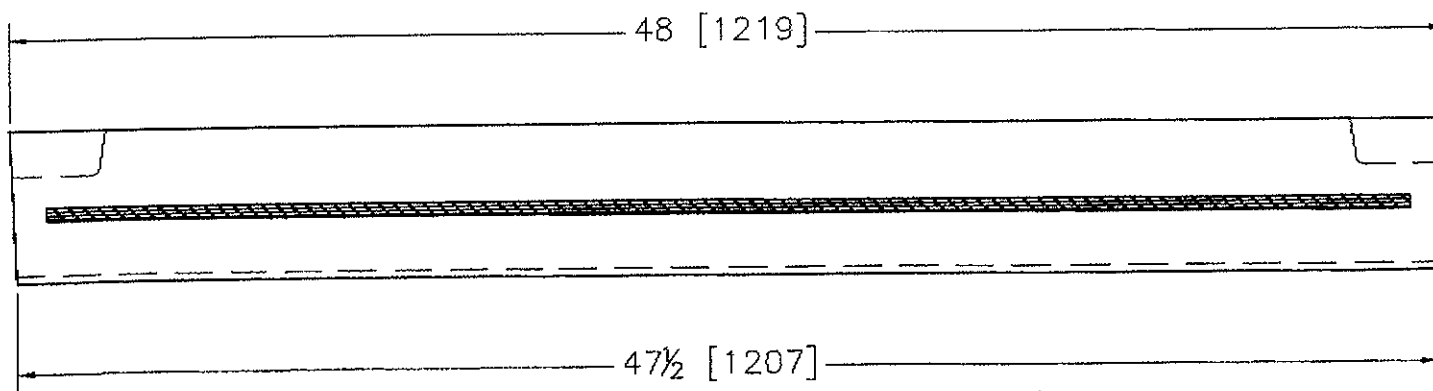
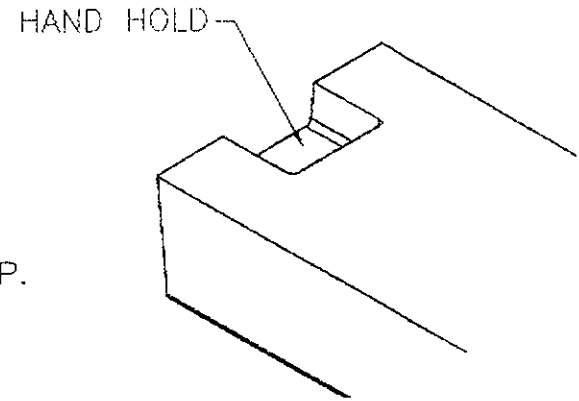
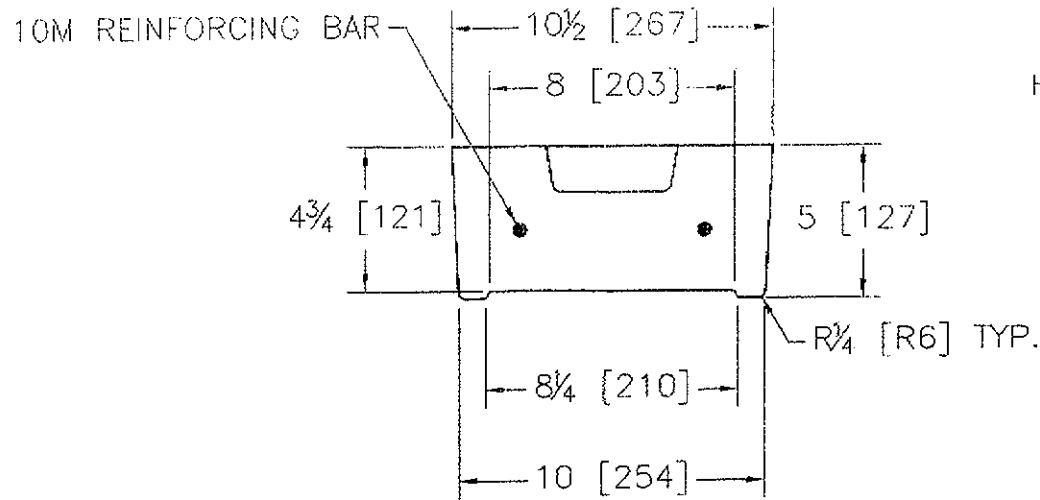


DWG / REV DATE	REV
01MAR05	0



**Babcock Supply Ltd.**  
**PRECAST CONCRETE PRODUCTS**

DRESDEN  
 519-683-2696

WINDSOR  
 519-972-5718

TITLE

**FUEL STORAGE PAD - 5 X 10 X 48**

DWG #

**PAD 5 X 10 X 48**