

MARKING DETAILS

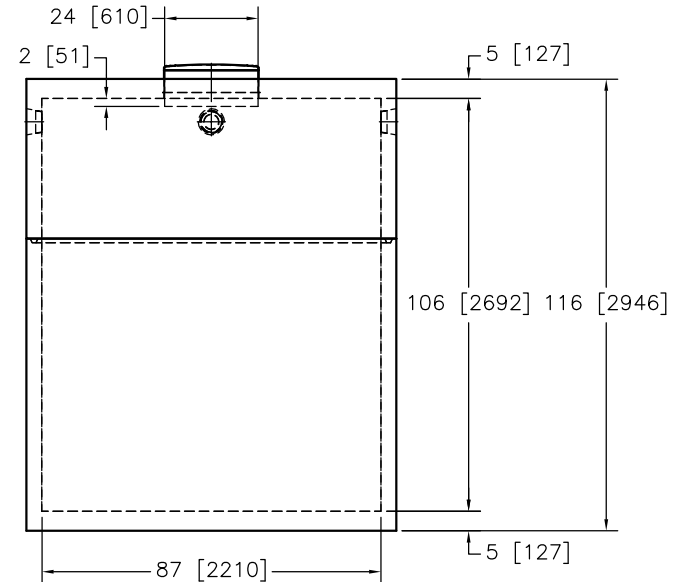
| BABCOCK SUPPLY | | |
|----------------------------|------------|-----------|
| □ 3600 L | □ 10000 L | □ 2006 |
| □ 4500 L | □ 11365 L | □ 2007 |
| □ 5600 L | □ 13640 L | □ 2008 |
| □ 6800 L | □ 15900 L | □ P |
| □ 9100 L | □ 20400 L | □ H |
| MAXIMUM BURIAL DEPTH 1.5 m | | |
| NON-SUL | A.G.I.N.P. | R.MAGNEIL |

CAST IN
CONCRETE
INLET END
BESIDE ACCESS

Standard Construction - 4500 G / 20400 L holding tank
 Concrete: 35 MPA at 28 days, 5-8% air entrainment, 0.45 water/cement ratio
 Reinforcing: Rebar Gr400W. 10m & 15m - 1" [25mm] min. concrete coverage
 Structural fibre - virgin copolymer polypropylene
 Liquid Depth: 98" [2489mm]
 Capacity: 4487 G [20400 L]

Notes:

1. Inlet baffle - N/A
2. Outlet device - N/A
3. Partition wall is monolithically cast with side walls and roof
4. 'DO NOT ENTER DANGER NE PAS ENTRER' tags on H.D.P.E. access covers
5. Inlet marked on appropriate end
6. 3/4" [19mm] butyl sealant used to seal lid to tank
7. Tank is assembled on site
8. Tank is intended for non-sulphate soil only
9. Above ground installation not permitted
10. Inlet accept NPS-4 pipe (rubber pipe seals)
11. Lid weight = 12000 lbs [5442 kg]
12. Tank weight = 18115 lbs [8215 kg]
13. Assembled weight = 30115 lbs [13658 kg]
14. Maximum burial depth = 60" [1524 mm]
15. Excavate hole approximately 12" [305 mm] larger than outside of tank



Babcock Supply Ltd.
 PRECAST CONCRETE PRODUCTS

DRESDEN, ONT.

PHONE
519-683-2696

FAX
519-683-2548

TANK MODEL #

**4500 GALLON / 20400 LITRE
 HOLDING TANK**

DWG #

4500GHOLDING