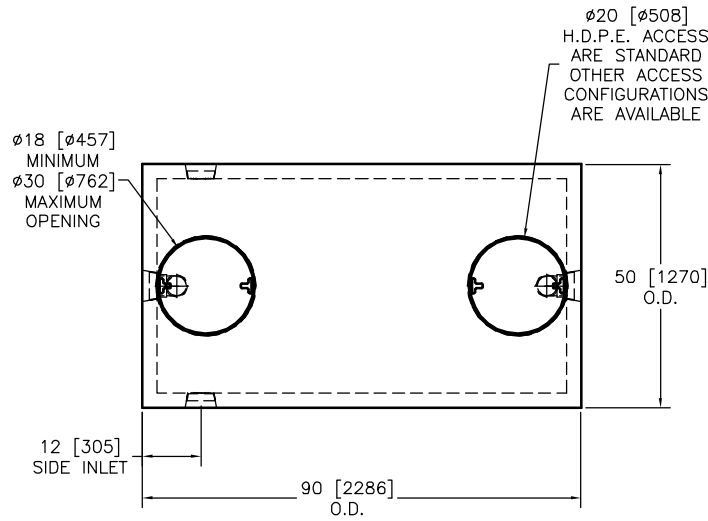


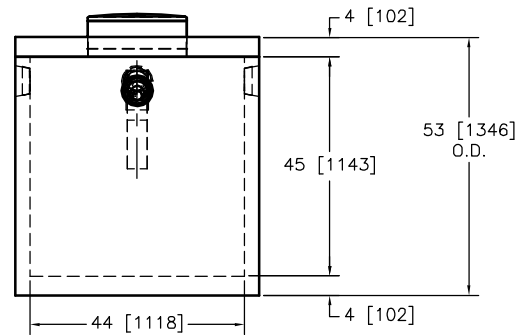
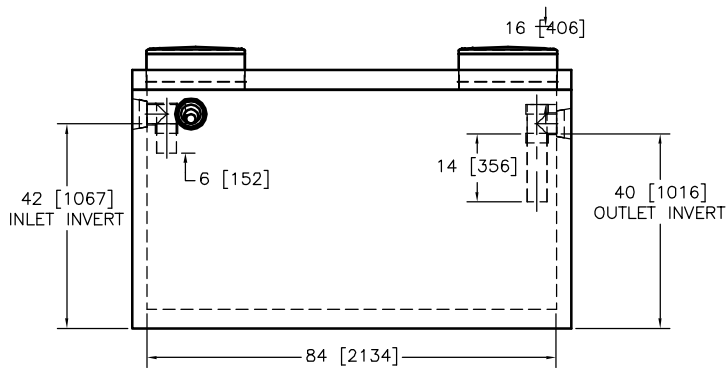
DWG / REV DATE	REV
11FEB05	0



Standard Construction – 400 G / 1800 L single compartment tank
 Concrete: 35 MPA at 28 days, 5–8% air entrainment, 0.45 water/cement ratio
 Reinforcing: Rebar Gr400W 10m & 15m – 1" [25mm] min. concrete coverage
 Structural fibre – virgin copolymer polypropylene
 Liquid Depth: 36" [1219mm]
 Working Capacity: 480 G [2182 L]
 Air Capacity: 111 G [505 L]

Notes:

1. Inlet baffle – ø100 mm SDR35 pipe and tee type
2. Outlet baffle – ø100 mm SDR35 pipe and tee type
3. Partition wall is not monolithically cast with side walls and floor
4. 'DO NOT ENTER DANGER NE PAS ENTRER' tags on H.D.P.E. access covers
5. Inlet and Outlet marked on appropriate ends
6. ½" [13mm] butyl sealant used to seal lid to tank
7. Tank is assembled at Babcock Supply Ltd
8. Tank is intended for non-sulphate soil only
9. Above ground installation not permitted
10. Inlet and outlet will accept NPS-4 pipe (E.P.A. pipe seals)
11. Lid weight = 1920 lbs [871 kg]
12. Tank weight = 4700 lbs [2132 kg]
13. Assembled weight = 6620 lbs [3002 kg]
14. Maximum burial depth = 60" [1524 mm]
15. Excavate hole approximately 12" [305 mm] larger than outside of tank



Babcock Supply Ltd.
PRECAST CONCRETE PRODUCTS

DRESDEN, ONT.

PHONE
519-683-2696

FAX
519-683-2548

TANK MODEL #

**600 GALLON - 2700 LITRE
 SINGLE COMPARTMENT**

DWG #

600GSINGLE