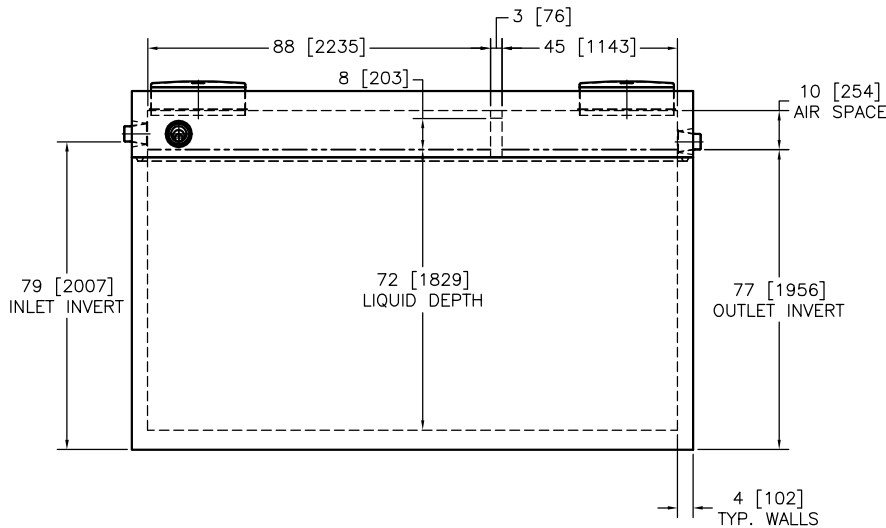


MARKING DETAILS

BABCOCK SUPPLY		
3600 L	10000 L	2006
4500 L	11365 L	2007
5600 L	13640 L	2008
6600 L	15900 L	P
9100 L	T	H

MAXIMUM BURIAL DEPTH 1.5 m
NON-SUL A.G.I.N.P. RM/MBEL

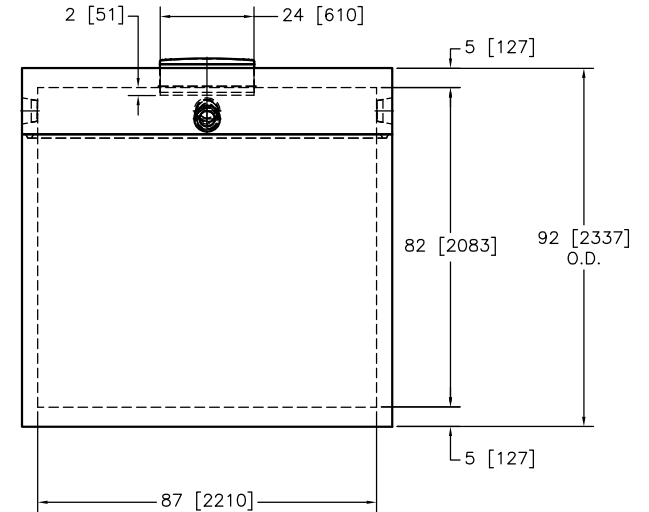
CAST IN CONCRETE INLET END BESIDE ACCESS



Standard Construction - 3000 G / 13640 L pump chamber
Concrete: 35 MPA at 28 days, 5-8% air entrainment, 0.45 water/cement ratio
Reinforcing: Rebar Gr400W. 10m & 15m - 1" [25mm] min. concrete coverage
Structural fibre - virgin copolymer polypropylene
Liquid Depth: 72" [1829mm]
Capacity: 3498 G [15902 L]

Notes:

- Inlet baffle - N/A
- Outlet device - N/A
- Partition wall is monolithically cast with side walls and floor
- 'DO NOT ENTER DANGER NE PAS ENTRER' tags on H.D.P.E. access covers
- Inlet marked on appropriate end
- 3/4" [19mm] butyl sealant used to seal lid to tank
- Tank is assembled on site
- Tank is intended for non-sulphate soil only
- Above ground installation not permitted
- Inlet accept NPS-4 pipe (rubber pipe seals)
- Lid weight = 7510 lbs [3406 kg]
- Tank weight = 18115 lbs [8215 kg]
- Assembled weight = 25625 lbs [11621 kg]
- Maximum burial depth = 60" [1524 mm]
- Excavate hole approximately 12" [305 mm] larger than outside of tank



Babcock Supply Ltd.
PRECAST CONCRETE PRODUCTS

DRESDEN, ONT.

PHONE
519-683-2696

FAX
519-683-2548

TANK MODEL #

**3500 GALLON / 15900 LITRE
HOLDING TANK**

DWG #

3000GHOLDING