

MARKING DETAILS

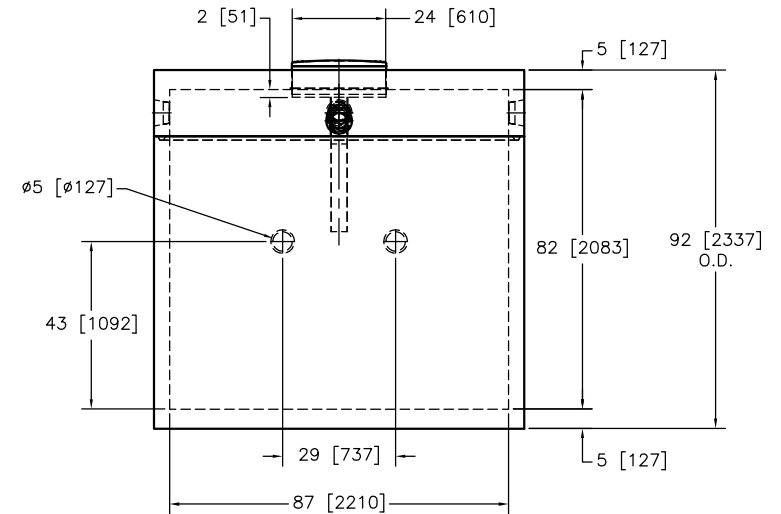
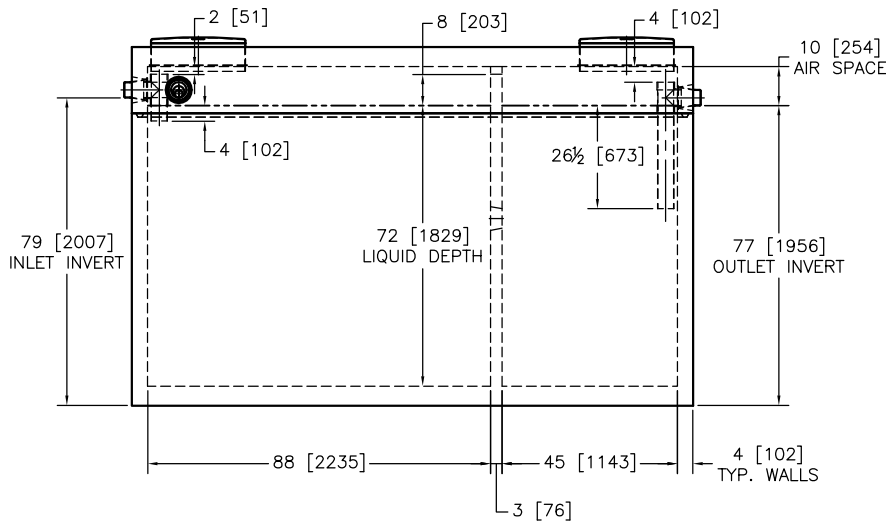
BABCOCK SUPPLY		
\square 3600 L	\square 10000 L	\square 2006
\square 4500 L	\square 11365 L	\square 2007
\square 5600 L	\square 13640 L	\square 2008
\square 6800 L	\square 15900 L	\square P
\square 9100 L	\square T	\square H
MAXIMUM BURIAL DEPTH 1.5 m		
NON-SUL A.G.I.N.P. RANGEBEL		

CAST IN CONCRETE INLET END BESIDE ACCESS

Standard Construction – 3000 G / 13640 L trickle type septic tank
 Concrete: 35 MPA at 28 days, 5–8% air entrainment, 0.45 water/cement ratio
 Reinforcing: Rebar Gr400W. 10m & 15m – 1" [25mm] min. concrete coverage
 Structural fibre – virgin copolymer polypropylene
 Liquid Depth: 72" [1829mm]
 Working Capacity: 3003 G [13651 L]
 Air Capacity: 417 G [1897 L]

Notes:

1. Inlet baffle – $\phi 100$ mm SDR35 pipe and tee type
2. Outlet device – $\frac{1}{6}$ " [1.5 mm] effluent filter
3. Partition wall is monolithically cast with side walls and floor
4. 'DO NOT ENTER DANGER NE PAS ENTRER' tags on H.D.P.E. access covers
5. Inlet marked on appropriate end
6. $\frac{3}{8}$ " [19mm] butyl sealant used to seal lid to tank
7. Tank is assembled on site
8. Tank is intended for non-sulphate soil only
9. Above ground installation not permitted
10. Inlet accept NPS-4 pipe (rubber pipe seals)
11. Lid weight = 7510 lbs [3406 kg]
12. Tank weight = 18115 lbs [8215 kg]
13. Assembled weight = 25625 lbs [11621 kg]
14. Maximum burial depth = 60" [1524 mm]
15. Excavate hole approximately 12" [305 mm] larger than outside of tank



Babcock Supply Ltd.
 PRECAST CONCRETE PRODUCTS

DRESDEN, ONT.

PHONE
 519-683-2696

FAX
 519-683-2548

TANK MODEL #

3000 GALLON / 13640 LITRE
 SEPTIC TANK

DWG #

3000GSEPTIC