

MARKING DETAILS

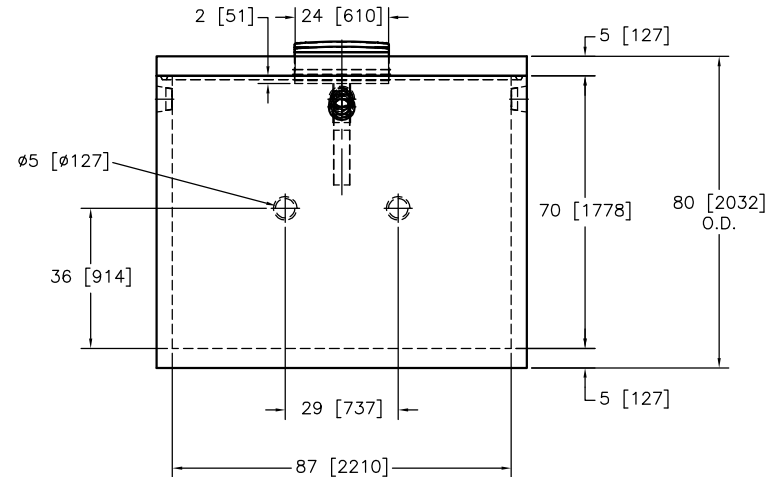
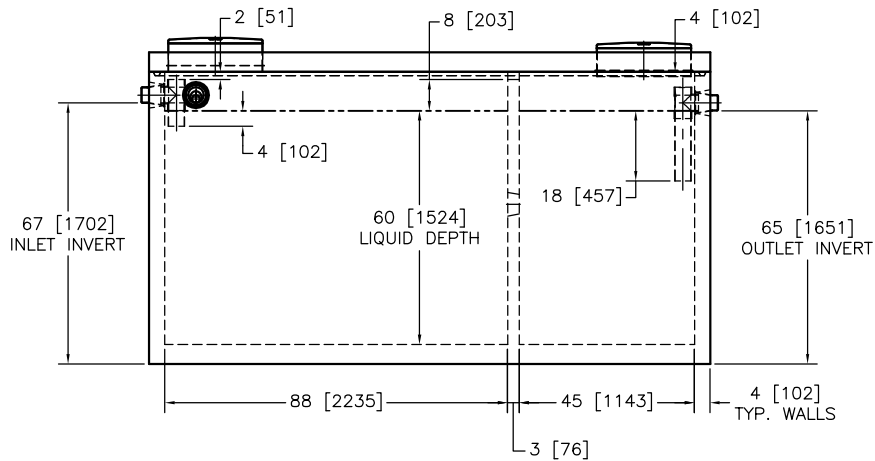
BABCOCK SUPPLY		
3600 L	10000 L	2006
4500 L	11365 L	2007
5600 L	13640 L	2008
6800 L	15900 L	P
9100 L	T	H
MAXIMUM BURIAL DEPTH 1.5 m		
NON-SUL	A.G.I.N.P.	RIMMERL

CAST IN CONCRETE INLET END BESIDE ACCESS

Standard Construction – 2500 G / 11365 L trickle type septic tank
 Concrete: 35 MPA at 28 days, 5–8% air entrainment, 0.45 water/cement ratio
 Reinforcing: Rebar Gr400W. 10m & 15m – 1" [25mm] min. concrete coverage
 Structural fibre – virgin copolymer polypropylene
 Liquid Depth: 60" [1524mm]
 Working Capacity: 2502 G [11374 L]
 Air Capacity: 417 G [1897 L]

Notes:

- Inlet baffle – $\phi 100$ mm SDR35 pipe and tee type
- Outlet device – $\frac{1}{6}$ " [1.5 mm] effluent filter
- Partition wall is monolithically cast with side walls and floor
- 'DO NOT ENTER DANGER NE PAS ENTRER' tags on H.D.P.E. access covers
- Inlet marked on appropriate end
- $\frac{3}{8}$ " [19mm] butyl sealant used to seal lid to tank
- Tank is assembled at Babcock Supply Ltd
- Tank is intended for non-sulphate soil only
- Above ground installation not permitted
- Inlet accept NPS-4 pipe (rubber pipe seals)
- Lid weight = 5700 lbs [2585 kg]
- Tank weight = 18065 lbs [8193 kg]
- Assembled weight = 23765 lbs [10778 kg]
- Maximum burial depth = 60" [1524 mm]
- Excavate hole approximately 12" [305 mm] larger than outside of tank



Babcock Supply Ltd.
 PRECAST CONCRETE PRODUCTS

DRESDEN, ONT.

PHONE
519-683-2696

FAX
519-683-2548

TANK MODEL #

**2500 GALLON / 11365 LITRE
 SEPTIC TANK**

DWG #

2500GSEPTIC