

MARKING DETAILS

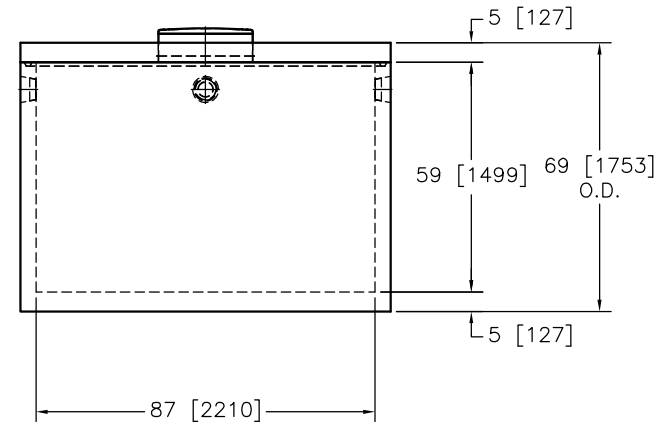
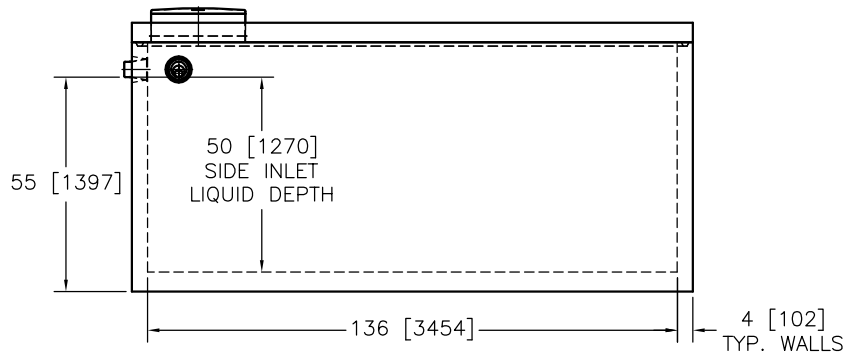
BABCOCK SUPPLY		
□ 3600 L	□ 10000 L	□ 2006
□ 4500 L	■ 11365 L	■ 2007
□ 5600 L	□ 13640 L	□ 2008
□ 6800 L	□ 15900 L	□ P
□ 9100 L	□ T	■ H
NON-SUL	A.G.I.N.P.	R.M.G.N.E.R.

CAST IN CONCRETE INLET END BESIDE ACCESS

Standard Construction – 2500 G / 11365 L holding tank
 Concrete: 35 MPA at 28 days, 5–8% air entrainment, 0.45 water/cement ratio
 Reinforcing: Rebar Gr400W. 10m & 15m – 1" [25mm] min. concrete coverage
 Structural fibre – virgin copolymer polypropylene
 Side Inlet Liquid Depth: 50" [1270mm]
 Side Inlet Capacity: 1621 G [7369 L]
 Air Capacity: 384 G [1746 L]

Notes:

1. 'DO NOT ENTER DANGER NE PAS ENTRER' tags on H.D.P.E. access covers
2. Inlet marked on appropriate end
3. 3/4" [19mm] butyl sealant used to seal lid to tank
4. Tank is assembled at Babcock Supply Ltd
5. Tank is intended for non-sulphate soil only
6. Above ground installation not permitted
7. Inlet accept NPS-4 pipe (rubber pipe seals)
8. Lid weight = 5760 lbs [2612 kg]
9. Tank weight = 14850 lbs [6785 kg]
10. Assembled weight = 20610 lbs [9347 kg]
11. Maximum burial depth = 60" [1524 mm]
12. Excavate hole approximately 12" [305 mm] larger than outside of tank



Babcock Supply Ltd.
PRECAST CONCRETE PRODUCTS

DRESDEN, ONT.

PHONE
 519-683-2696

FAX
 519-683-2548

TANK MODEL #

**2500 GALLON / 9100 LITRE
 HOLDING TANK**

DWG #

2500GHOLDING