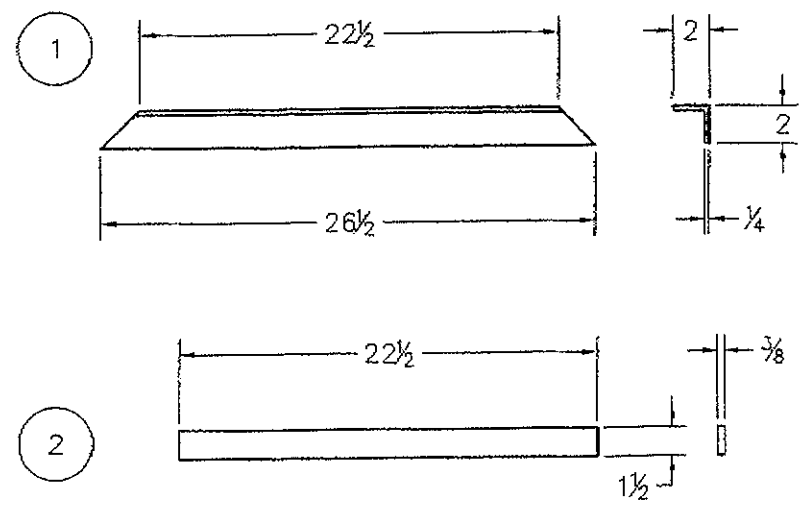
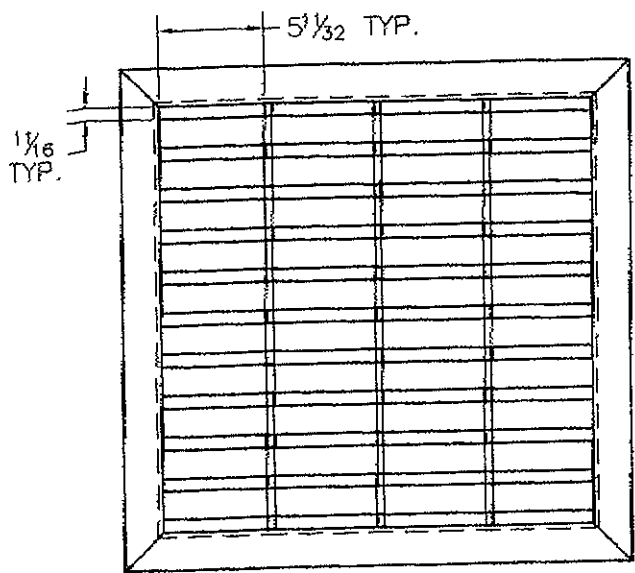
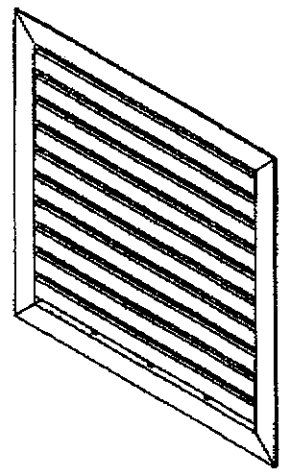
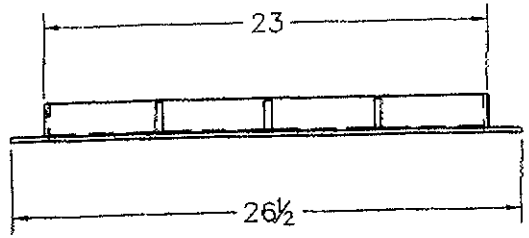


Parts List			
ITEM	QTY	NAME	MATERIAL
1	4	ANGLE STEEL - AISC - L 2 X 2 X 1/4	MILD_STEEL
2	13	FLAT BAR - 3/8 X 1 1/2	MILD_STEEL

DWG / REV	L	E	REV
16MAR05			0

01/18/2006 14:30 15195292025



Babcock Supply Ltd.
PRECAST CONCRETE PRODUCTS

DRESDEN
 519-683-2696
 WINDSOR
 519-972-5718

TITLE	GALVINIZED GRATE
DWG #	GALVINIZED GRATE

PAGE 01/01