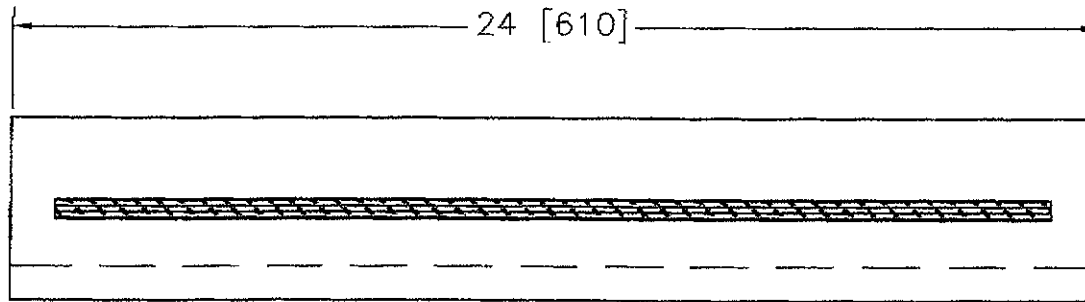
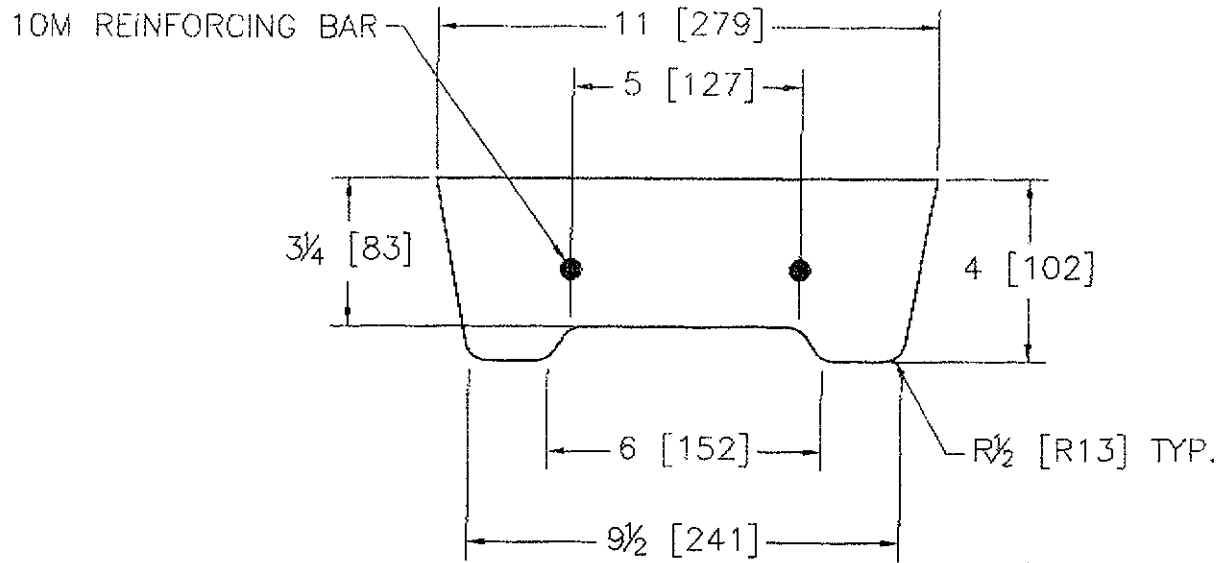


DWG / REV DATE	REV
01MAR05	0



Babcock Supply Ltd.
PRECAST CONCRETE PRODUCTS

DRESDEN
 519-683-2696

WINDSOR
 519-972-5718

TITLE

FUEL STORAGE PAD - 4 X 11 X 24

DWG #

PAD 4 X 11 X 24