

MARKING DETAILS

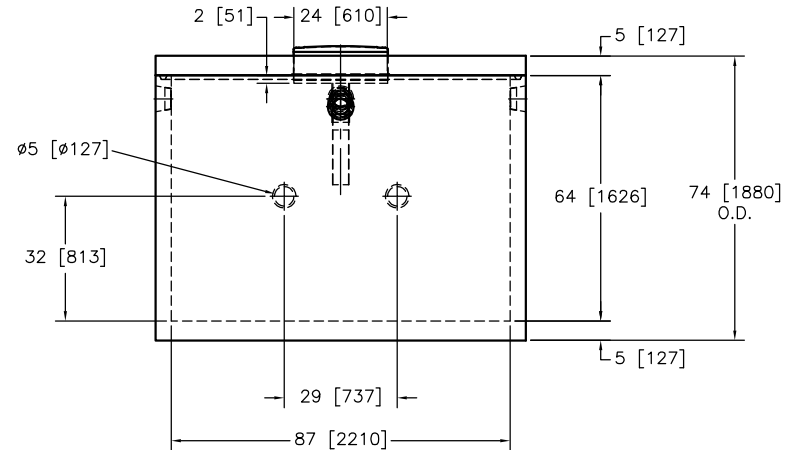
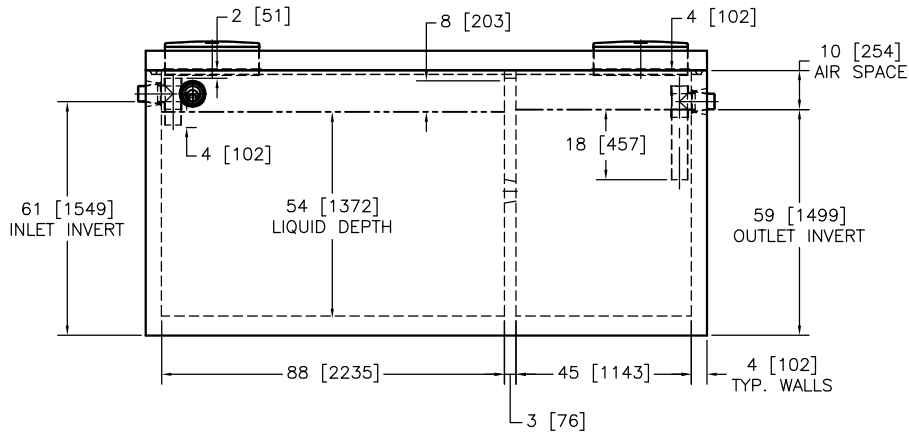
BABCOCK SUPPLY		

CAST IN CONCRETE INLET END BESIDE ACCESS

Standard Construction – 2250 G / 10200 L trickle type septic tank
 Concrete: 35 MPA at 28 days, 5–8% air entrainment, 0.45 water/cement ratio
 Reinforcing: Rebar Gr400W. 10m & 15m – 1" [25mm] min. concrete coverage
 Structural fibre – virgin copolymer polypropylene
 Liquid Depth: 54" [1372mm]
 Working Capacity: 2252 G [10238 L]
 Air Capacity: 417 G [1897 L]

Notes:

- Inlet baffle – $\phi 100$ mm SDR35 pipe and tee type
- Outlet device – $\frac{1}{6}$ " [1.5 mm] effluent filter
- Partition wall is monolithically cast with side walls and floor
- 'DO NOT ENTER DANGER NE PAS ENTRER' tags on H.D.P.E. access covers
- Inlet marked on appropriate end
- $\frac{3}{4}$ " [19mm] butyl sealant used to seal lid to tank
- Tank is assembled at Babcock Supply Ltd
- Tank is intended for non-sulphate soil only
- Above ground installation not permitted
- Inlet accept NPS-4 pipe (rubber pipe seals)
- Lid weight = 5700 lbs [2585 kg]
- Tank weight = 16810 lbs [7624 kg]
- Assembled weight = 22510 lbs [10209 kg]
- Maximum burial depth = 60" [1524 mm]
- Excavate hole approximately 12" [305 mm] larger than outside of tank



Babcock Supply Ltd.
 PRECAST CONCRETE PRODUCTS

DRESDEN, ONT.

PHONE
 519-683-2696

FAX
 519-683-2548

TANK MODEL #

2250 GALLON / 10200 LITRE
 SEPTIC TANK

DWG #

2250GSEPTIC