

MARKING DETAILS

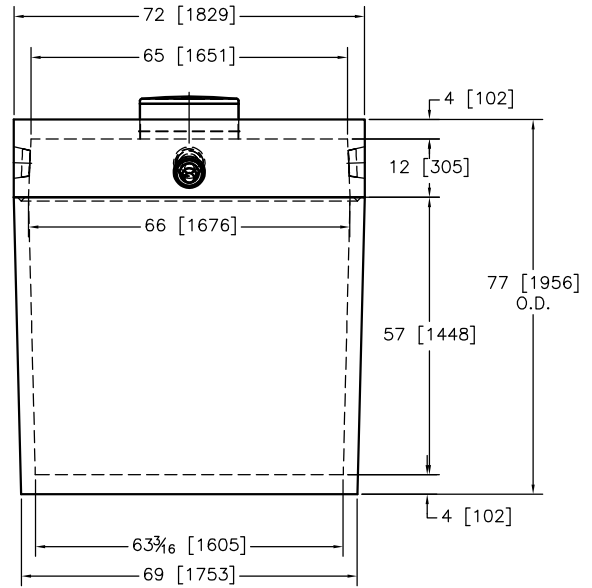
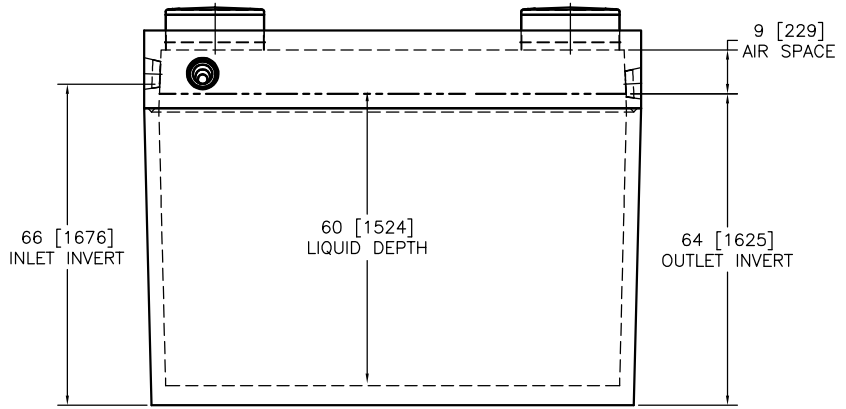
BABCOCK SUPPLY		
<input type="checkbox"/> 3600 L	<input type="checkbox"/> 10000 L	<input type="checkbox"/> 2006
<input type="checkbox"/> 4500 L	<input type="checkbox"/> 11365 L	<input type="checkbox"/> 2007
<input type="checkbox"/> 5600 L	<input type="checkbox"/> 13640 L	<input type="checkbox"/> 2008
<input type="checkbox"/> 6800 L	<input type="checkbox"/> 15900 L	<input type="checkbox"/> P
<input type="checkbox"/> 9100 L	<input type="checkbox"/> T	<input type="checkbox"/> H
MAXIMUM BURIAL DEPTH 1.5m		
NON-SUL	A.G.S.M.P.	R.McNEIL

CAST IN CONCRETE INLET END BESIDE ACCESS

Standard Construction - 1250 G / 5680 L single compartment tank  
 Concrete: 35 MPA at 28 days, 5-8% air entrainment, 0.45 water/cement ratio  
 Reinforcing: Rebar Gr400W. 10m - 1" [25mm] min. concrete coverage  
 Liquid Depth: 60" [1524mm]  
 Working Capacity: 1526 G [6937 L]

Notes:

- 'DO NOT ENTER DANGER NE PAS ENTRER' tags on H.D.P.E. access covers
- Inlet and Outlet marked on appropriate ends
- ½" [13mm] butyl sealant used to seal lid to tank
- Tank is assembled at Babcock Supply Ltd
- Tank is intended for non-sulphate soil only
- Above ground installation not permitted
- Inlets and outlet will accept NPS-4 pipe (E.P.A. pipe seals)
- Lid weight = 3650 lbs [1655 kg]
- Tank weight = 7970 lbs [3615 kg]
- Assembled weight = 11620 lbs [5670 kg]
- Maximum burial depth = 60" [1524 mm]
- Excavate hole approximately 12" [305 mm] larger than outside of tank



**Babcock Supply Ltd.**  
 PRECAST CONCRETE PRODUCTS

DRESDEN, ONT.  
 PHONE 519-683-2696  
 FAX 519-683-2548

TITLE  
**1500 GALLON - 6800 LITRE HOLDING TANK**

DWG #  
**1500GBHOLDING**