

MARKING DETAILS

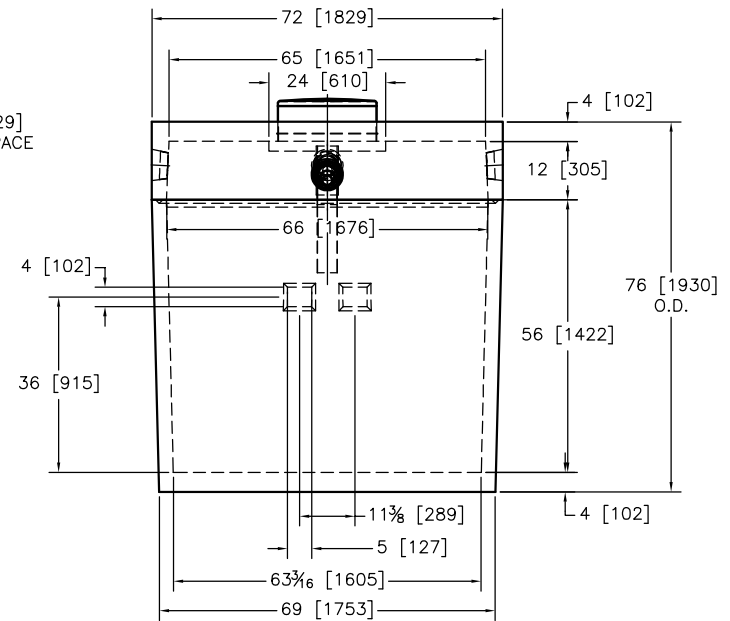
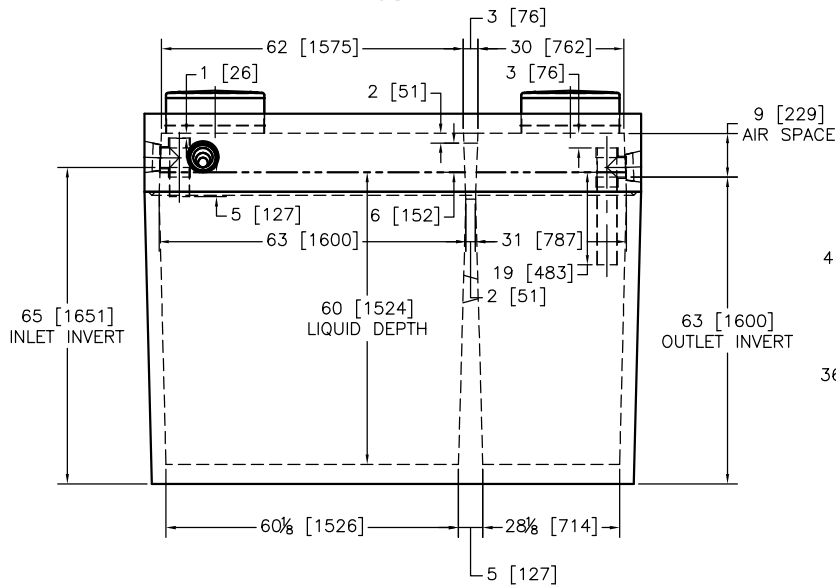
BABCOCK SUPPLY		
\square 3600 L	\square 10000 L	\blacksquare 2006
\square 4500 L	\square 11365 L	\square 2007
\square 5600 L	\square 13640 L	\square 2008
\square 6800 L	\square 15900 L	\square P
\square 9100 L	\square T	\square H
MAXIMUM BURIAL DEPTH 1.5m		
NON-SUL.	A.G.I.N.P.	R.M.G.I.E.L.

CAST IN CONCRETE INLET END BESIDE ACCESS

Standard Construction - 1250 G / 5680 L trickle type septic tank
 Concrete: 35 MPA at 28 days, +/- 6% air entrainment
 Reinforcing: Rebar Gr400W, 10m - 1" [25mm] min. concrete coverage
 Liquid Depth: 60" [1524mm]
 Working Capacity: 1276 G [5800 L]
 Air Capacity: 197 G [894 L]

Notes:

- Inlet baffle - $\phi 100$ mm SDR35 pipe and tee type
- Outlet device - $\frac{1}{2}$ " effluent filter
- Partition wall is monolithically cast with side walls and floor
- 'DO NOT ENTER DANGER NE PAS ENTRER' tags on H.D.P.E. access covers
- Inlet and Outlet marked on appropriate ends
- $\frac{1}{2}$ " [13mm] butyl sealant used to seal lid to tank
- Tank is assembled at Babcock Supply Ltd
- Tank is intended for non-sulphate soil only
- Above ground installation not permitted
- Inlets and outlet will accept NPS-4 pipe (E.P.A. pipe seals)
- Lid weight = 3650 lbs [1655 kg]
- Tank weight = 7970 lbs [3615 kg]
- Assembled weight = 11620 lbs [5670 kg]
- Maximum burial depth = 60" [1524 mm]
- Excavate hole approximately 12" [305 mm] larger than outside of tank



Babcock Supply Ltd.
 PRECAST CONCRETE PRODUCTS
 DRESDEN, ONT.
 PHONE 519-683-2696
 FAX 519-683-2548

TITLE
1250 GALLON - 5680 LITRE SEPTIC TANK
 DWG #
1250GSEPTIC