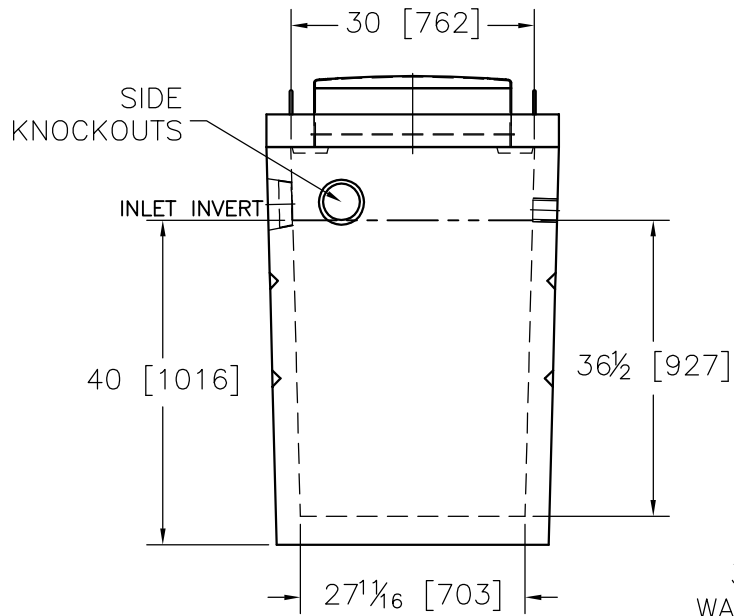
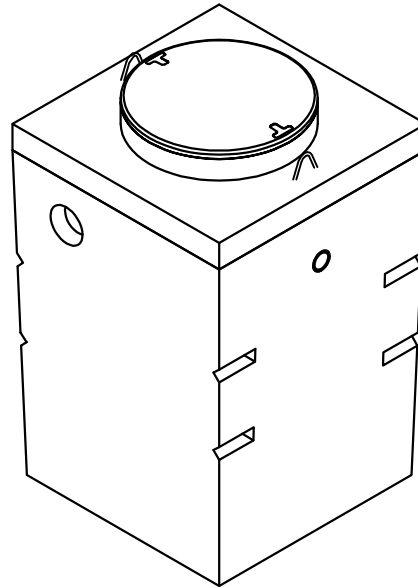
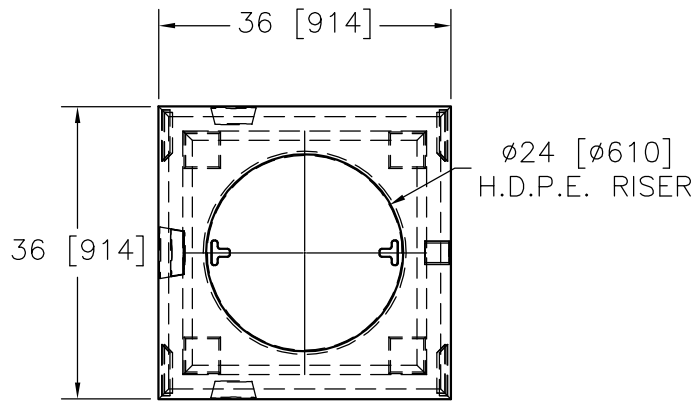
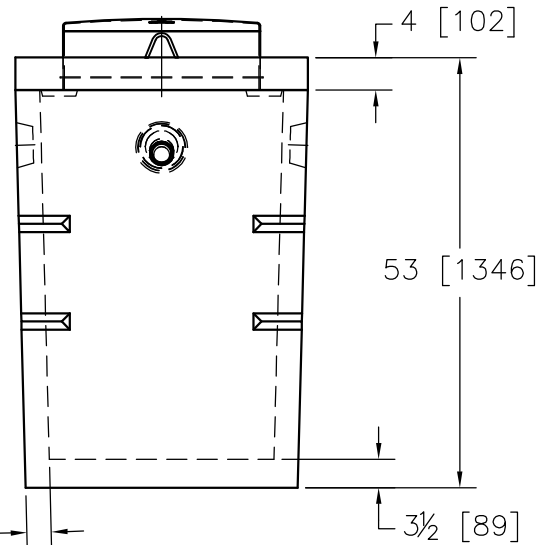


DWG / REV DATE	REV
10JUN04	1



3 [76]  
WALLS TYP.



**Porter's** Division of J.A.PORTER HOLDINGS(LUCKNOW)LTD.

RR 1, Lucknow, Ont. N0G 2H0 Phone: (519)528-3537 Fax: (519)528-2025

RR 4, Owen Sound, Ont. N4K 5N6 Phone: (519)372-1636 Fax: (519)372-1882

TITLE

110 G / 500 L  
PUMP CHAMBER

DWG #

110GPC