

MARKING DETAILS

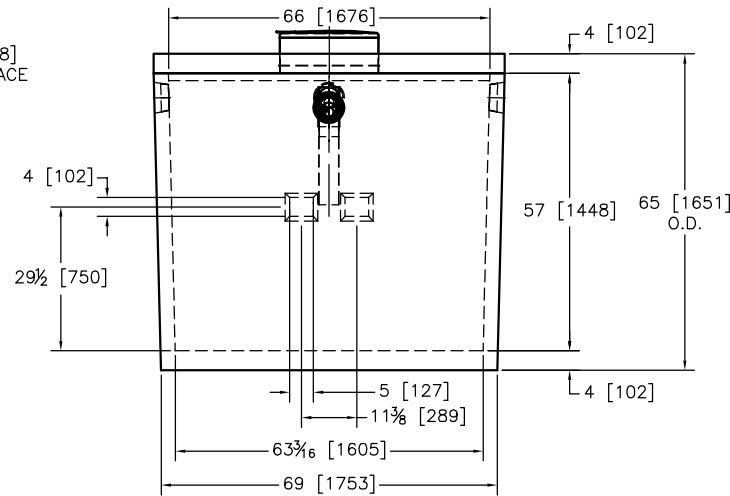
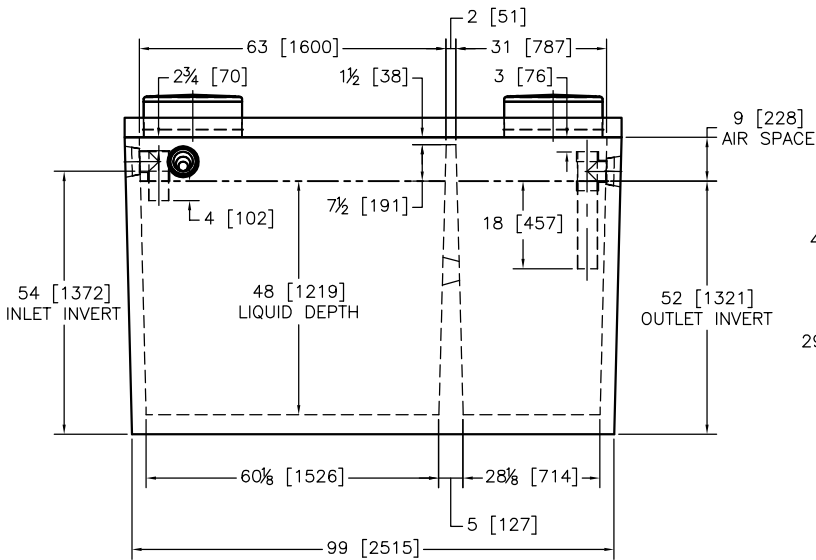
BABCOCK SUPPLY		
$\square$ 9800 L	$\square$ 10000 L	$\square$ 2006
$\square$ 4500 L	$\square$ 11365 L	$\square$ 2007
$\square$ 5500 L	$\square$ 13640 L	$\square$ 2008
$\square$ 6800 L	$\square$ 15900 L	$\square$ P
$\square$ 9100 L	$\square$ T	$\square$ H
MAXIMUM BURIAL DEPTH 1.5 m		
NON-SUL	A.G./N.P.	R./M/NEIL

CAST IN  
CONCRETE  
INLET END  
BESIDE ACCESS

Standard Construction - 1000 G / 4500 L trickle type septic tank  
 Concrete: 35 MPA at 28 days, 5-8% air entrainment, 0.45 water/cement ratio  
 Reinforcing: Rebar Gr400W. 10m & 15m - 1" [25mm] min. concrete coverage  
 Structural fibre - virgin copolymer polypropylene  
 Liquid Depth: 48" [1219mm]  
 Working Capacity: 1011 G [4596 L]  
 Air Capacity: 200 G [909 L]

Notes:

- Inlet baffle -  $\phi 100$  mm SDR35 pipe and tee type
- Outlet device -  $\chi_6$  effluent filter
- Partition wall is monolithically cast with side walls and floor
- 'DO NOT ENTER DANGER NE PAS ENTRER' tags on H.D.P.E. access covers
- Inlet and Outlet marked on appropriate ends
- $\frac{1}{2}$ " [13mm] butyl sealant used to seal lid to tank
- Tank is assembled at Babcock Supply Ltd
- Tank is intended for non-sulphate soil only
- Above ground installation not permitted
- Inlets and outlet will accept NPS-4 pipe (E.P.A. pipe seals)
- Lid weight = 2400 lbs [1088 kg]
- Tank weight = 7970 lbs [3614 kg]
- Assembled weight = 10370 lbs [4702 kg]
- Maximum burial depth = 60" [1524 mm]
- Excavate hole approximately 12" [305 mm] larger than outside of tank



**Babcock Supply Ltd.**  
 PRECAST CONCRETE PRODUCTS

DRESDEN, ONT.

PHONE  
519-683-2696

FAX  
519-683-2548

TANK MODEL #

1000 GALLON - 4500 LITRE  
 SEPTIC TANK

DWG #

1000GSEPTIC