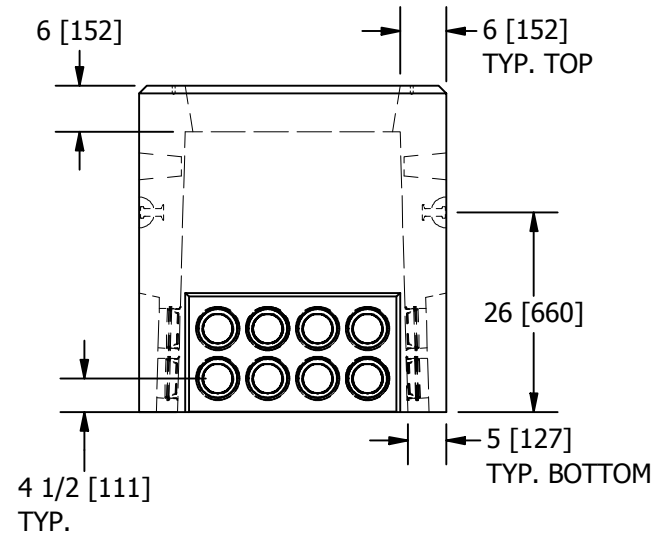
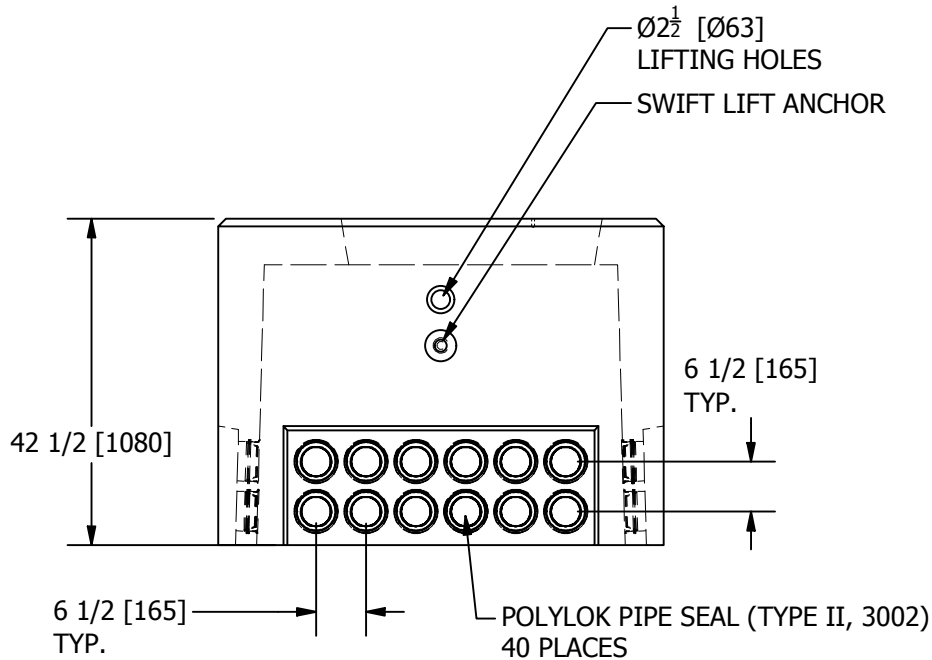
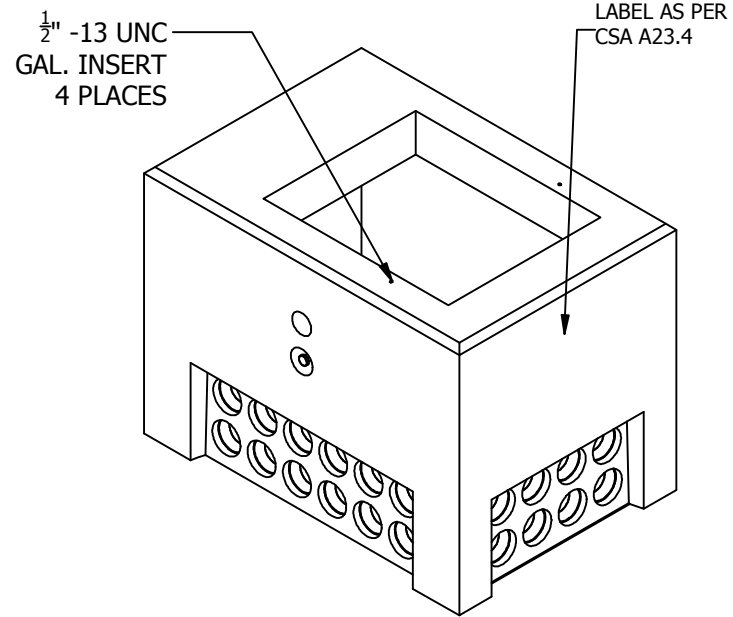
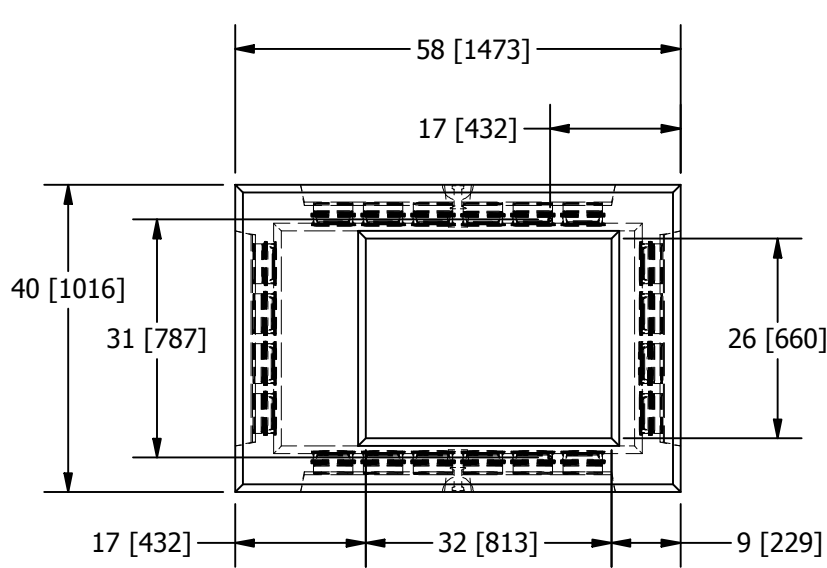


The design and detail of this drawing is the property of Babcock Supply Ltd. and should not be used without consent.

All products are subject to design and material change without notice. Improper installation of materials supplied by Babcock Supply Ltd. may nullify any warranty and guarantee of materials.



www.babcocksupply.ca
10357 Base Line Dresden, ON
Tel: (519) 683-2696
Fax: (519) 683-2548

CONCRETE:
35 MPa 5-8% Air Entrainment

DESIGN:
CSA A23.4

STEEL REINFORCEMENT:
4"4" W2.9/W2.9 WWF (6/6)
Complies with ASTM 1064

FIBRE REINFORCEMENT:
Synthetic Macro Fibre, ASTM C1116

PRODUCT DETAIL:

MODEL:
HYD-002 P

TOTAL WEIGHT:
1377 kg

CONCRETE EXPOSURE CLASS:
F1

OUTSIDE DIMENSIONS:
1473mm x 1016mm x 1080mm (H)

NOTES:
REINFORCING CONCRETE COVER:
40mm

PRODUCT LABEL:
HYD-002 P

LIFTING SYSTEM:
SWIFT LIFT

STRIPPING STRENGTH:
18 MPa

ACCOMMODATES PIPE SIZES:
50mm-100mm

TITLE:
TRANSFORMER FOUNDATION
SINGLE PHASE
WITH PIPE SEALS

REV: 1.0 SHEET SIZE: A

SHT # 1 DATE: April 30, 2018

Note: This drawing is not to scale and uses third angle projections. All dimensions are in inches [millimetres] unless otherwise noted.